

ASSEMBLY INSTRUCTIONS

ITEM # 4206

CONGRATULATIONS

You've purchased a fine product. All of our easy-to-assemble products are designed and carefully tested to meet the highest quality standards - Yours. We're included simple step-by-step instructions to help you quickly assemble your unit. Before you begin we recommend that you follow the steps below:

1. Please read the instructions thoroughly
2. Identify all parts and hardware, and
3. Gather the tool(s) necessary

NOTE: Do not tighten screws until unit is fully assembled. Only then tighten all screws.

PARTS INFORMATION

To protect your parts during assembly.

CARE INSTRUCTIONS

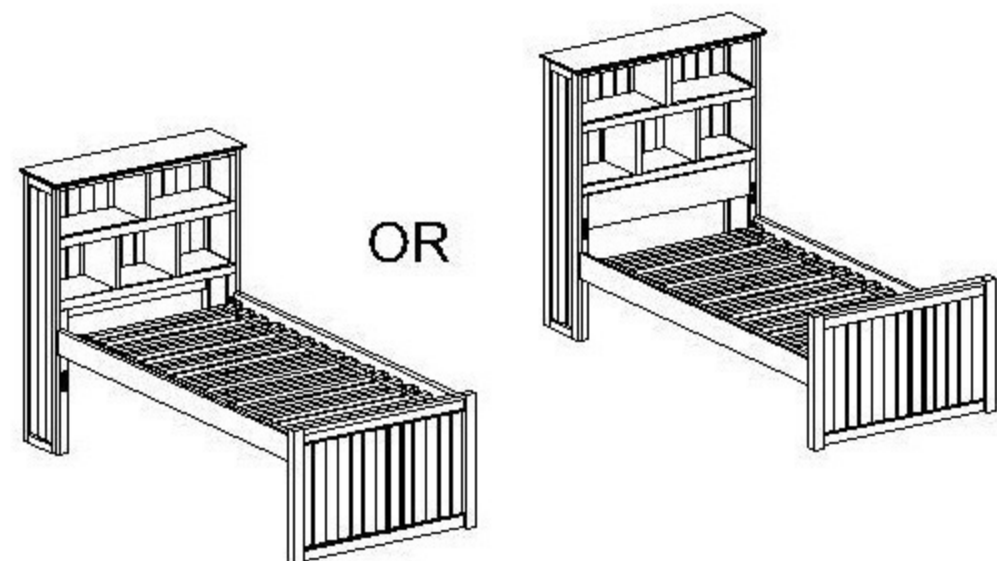
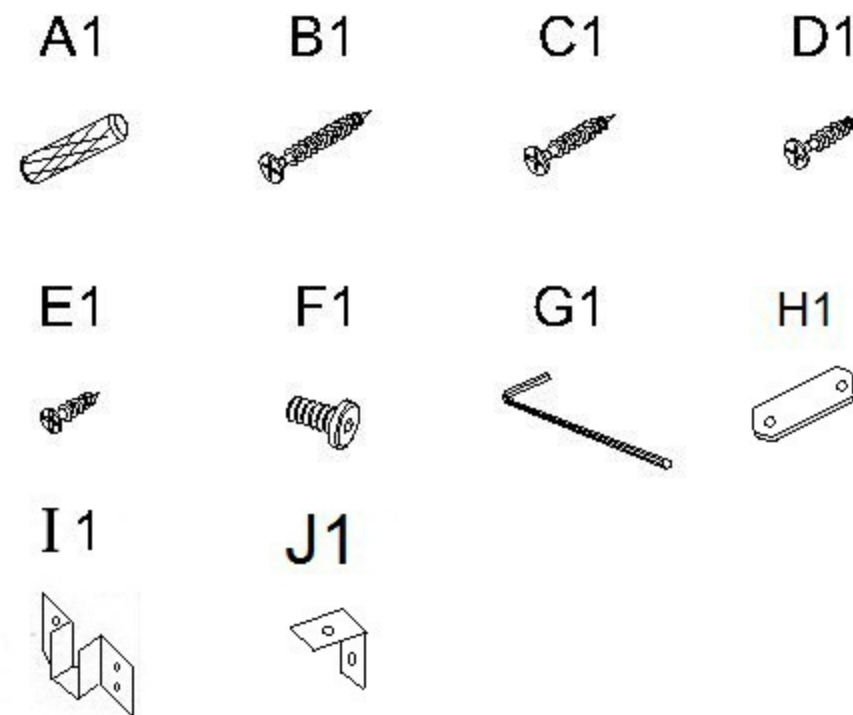
To clean surface use only water on a damp cloth. Do not use window cleaners or cleaning abrasives as it will scratch the surface and could damage the protective coating.

PARTS LIST

REF.	PART NAME	QUANTITY
A	Top Board	1
B	Top middle cross Board	1
C	Down middle-cross Board	2
D	Middle-Vertical Board of Top layer	1
E	Middle-Vertical Board of Middle layer	2
F	Front Lower Middle Horizontal Board	1
G	Right Side Board	1
H	Left Side Board	1
I	Back Lower Crosspiece	1
J	Backboard	2
K	Footboard	1
L	Side Rail	2
M	Slat Roll	1
N	U Bracket Support Rail	1
O	Leg Support	6
P	Center Rail	1

A1	Wooden Dowel D10 x 35	25
B1	Wood Screw D4 x 32	34
C1	PH Screw D4 x 20	28
D1	Wood Screw D4 x 25	51
E1	Wood Screw D4 x 16	20
F1	Barrel Bolt	8
G1	Hex Key	1
H1	Metal Plate	2
I1	U Bracket	2
J1	L Bracket	2

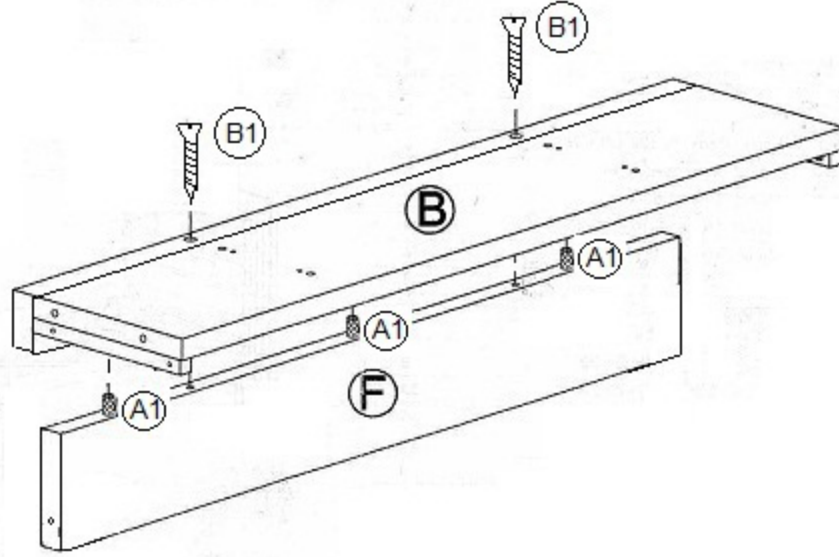
HARDWARE AND TOOLS DIAGRAM



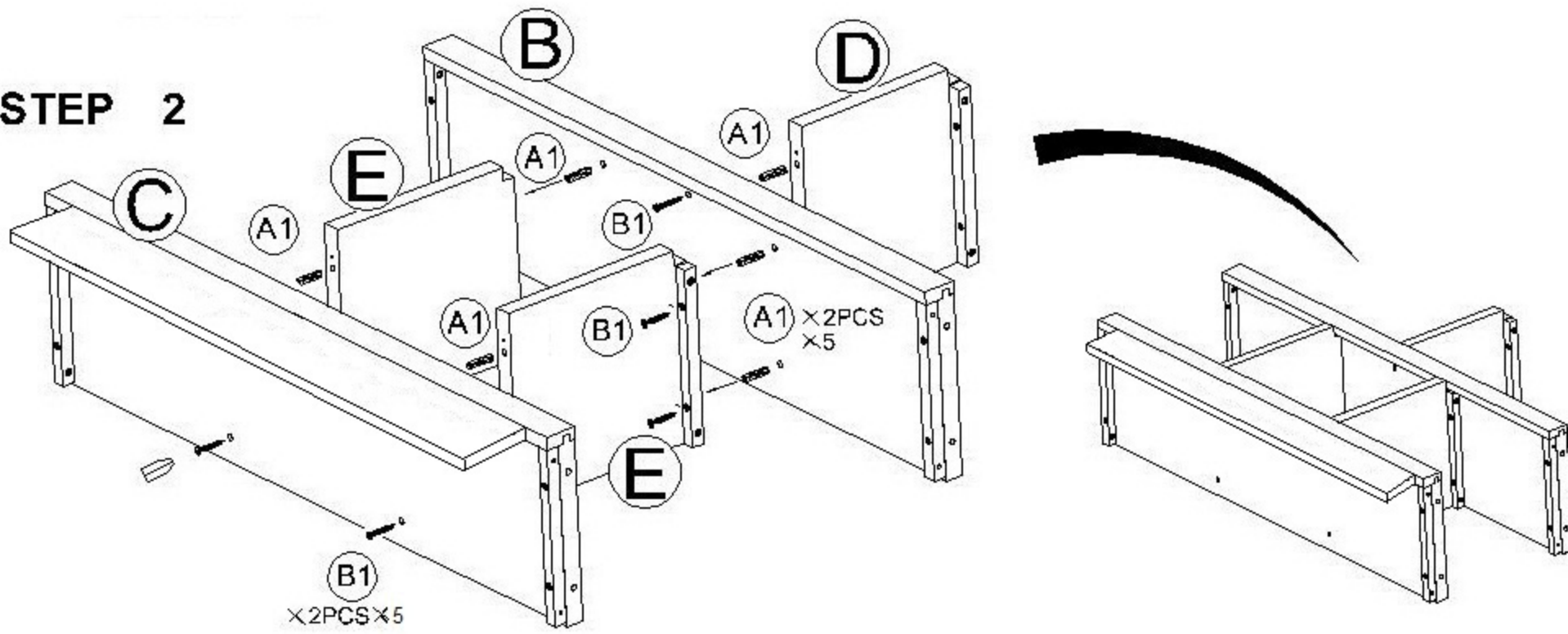
Note: You will also need a Phillips Screwdriver.
(not included)

ASSEMBLY INSTRUCTIONS

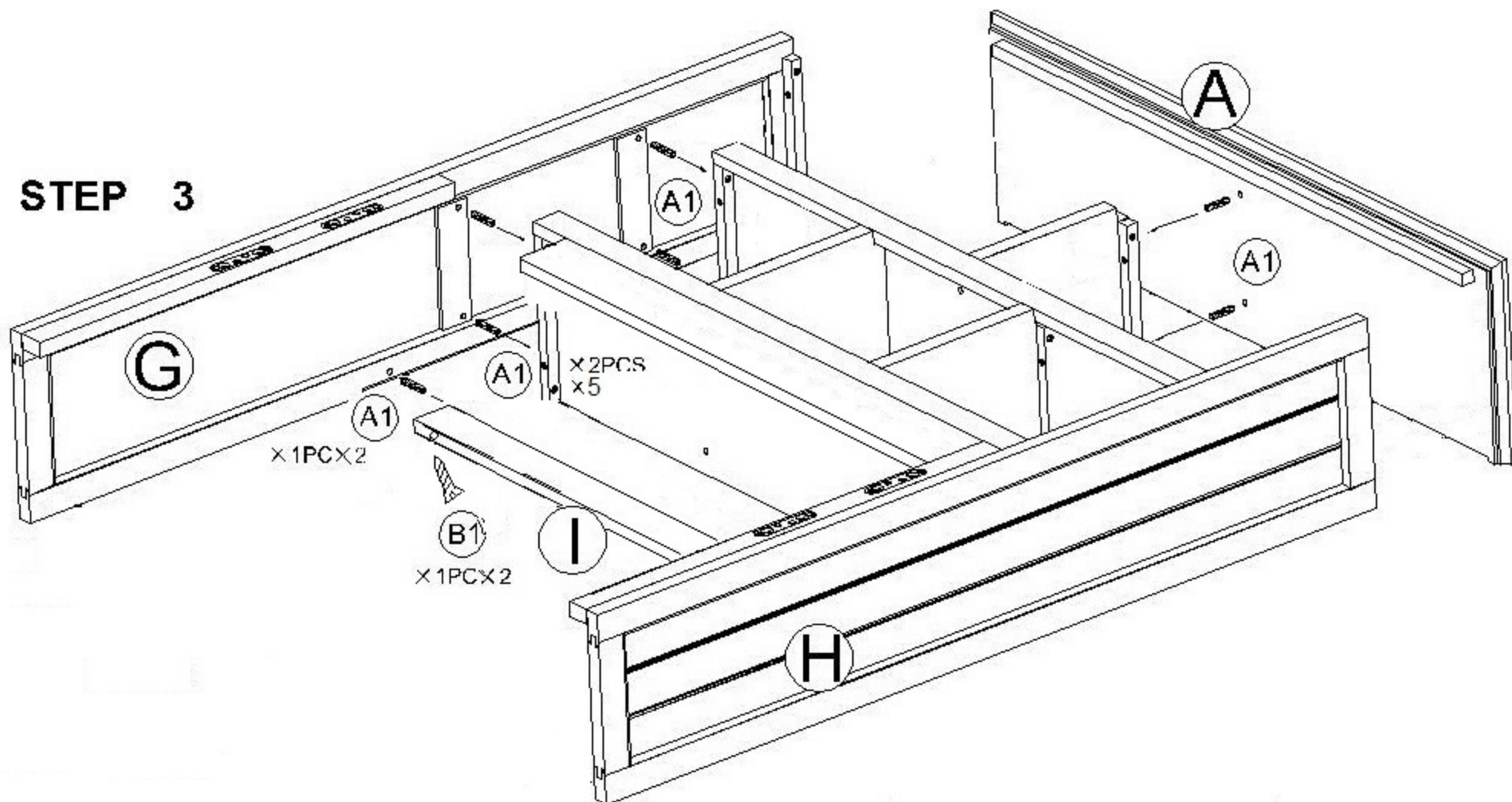
STEP 1



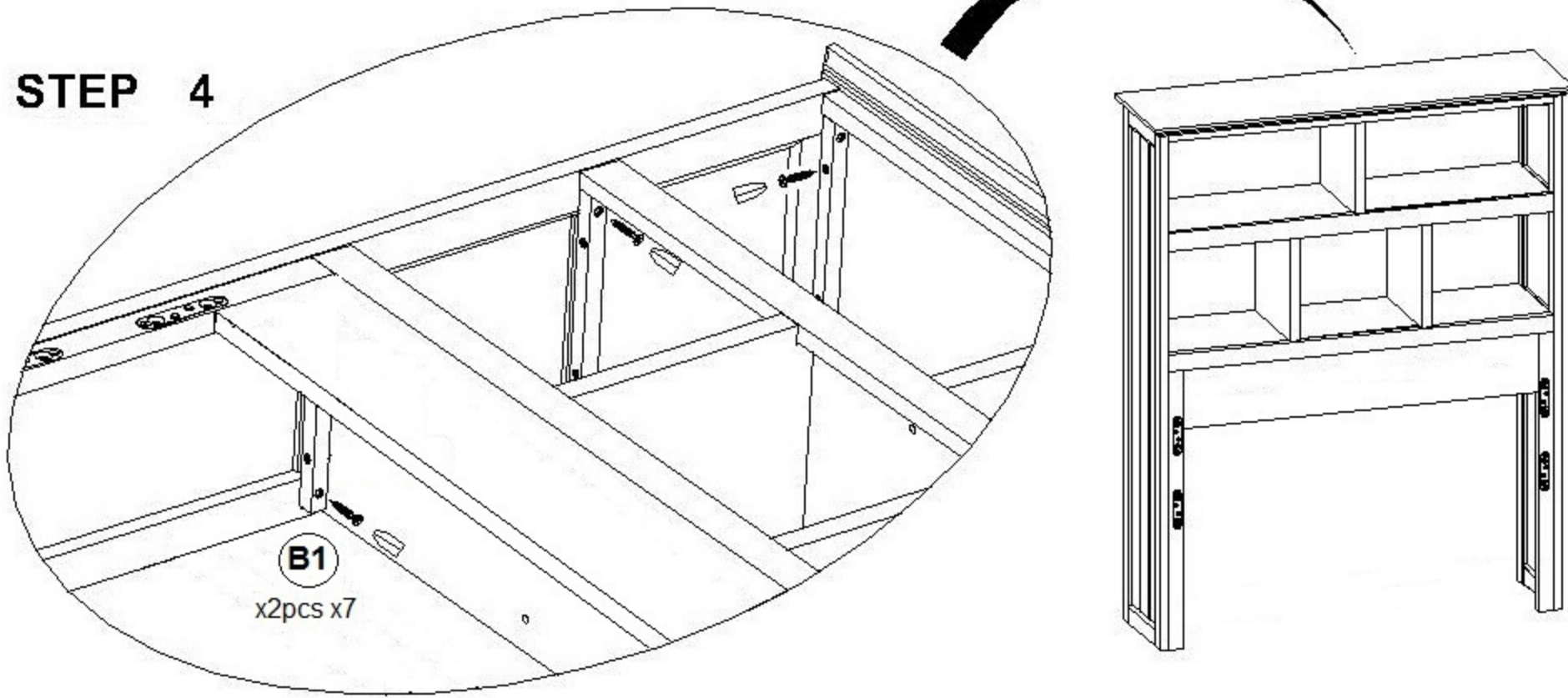
STEP 2



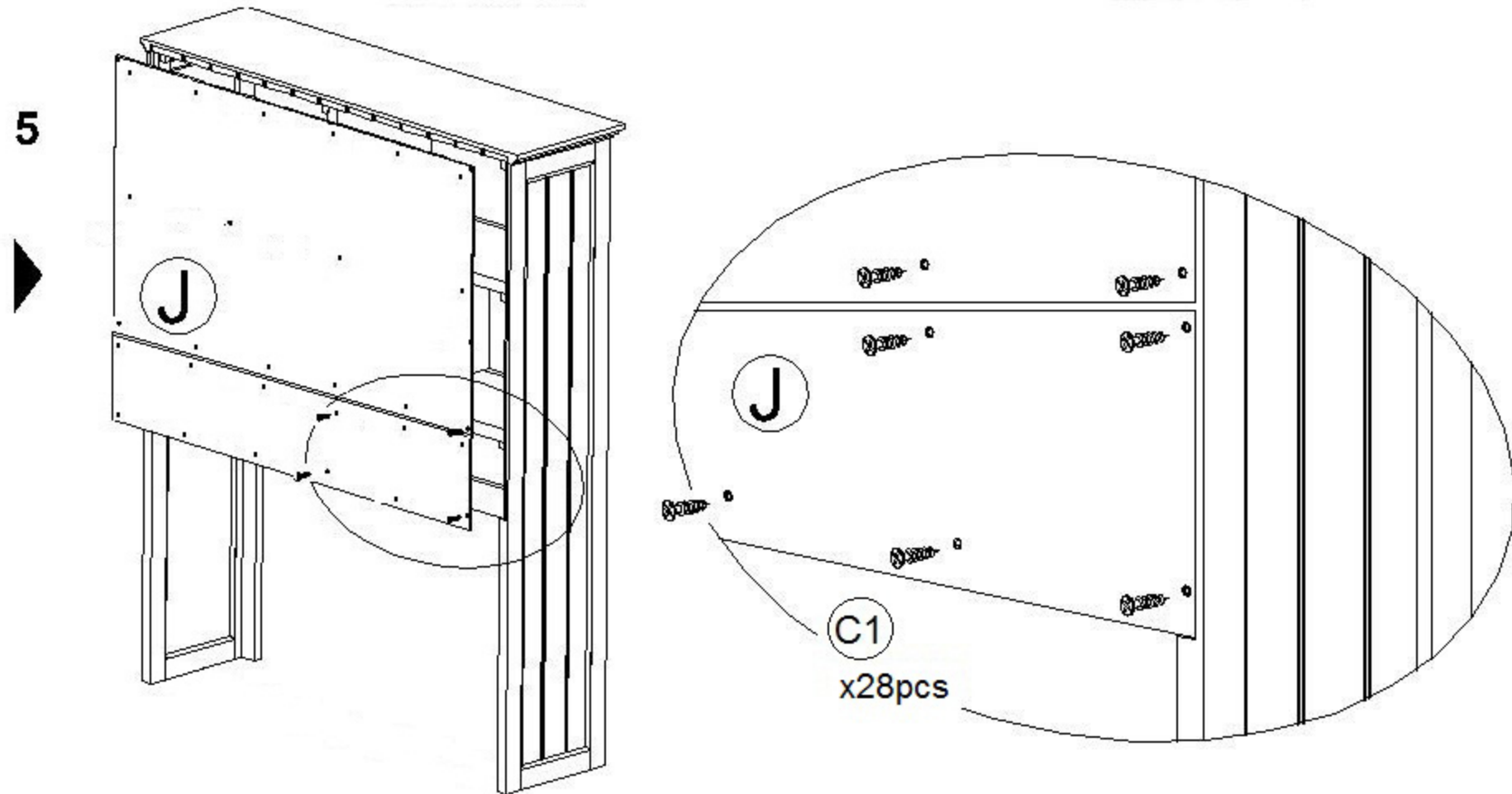
STEP 3



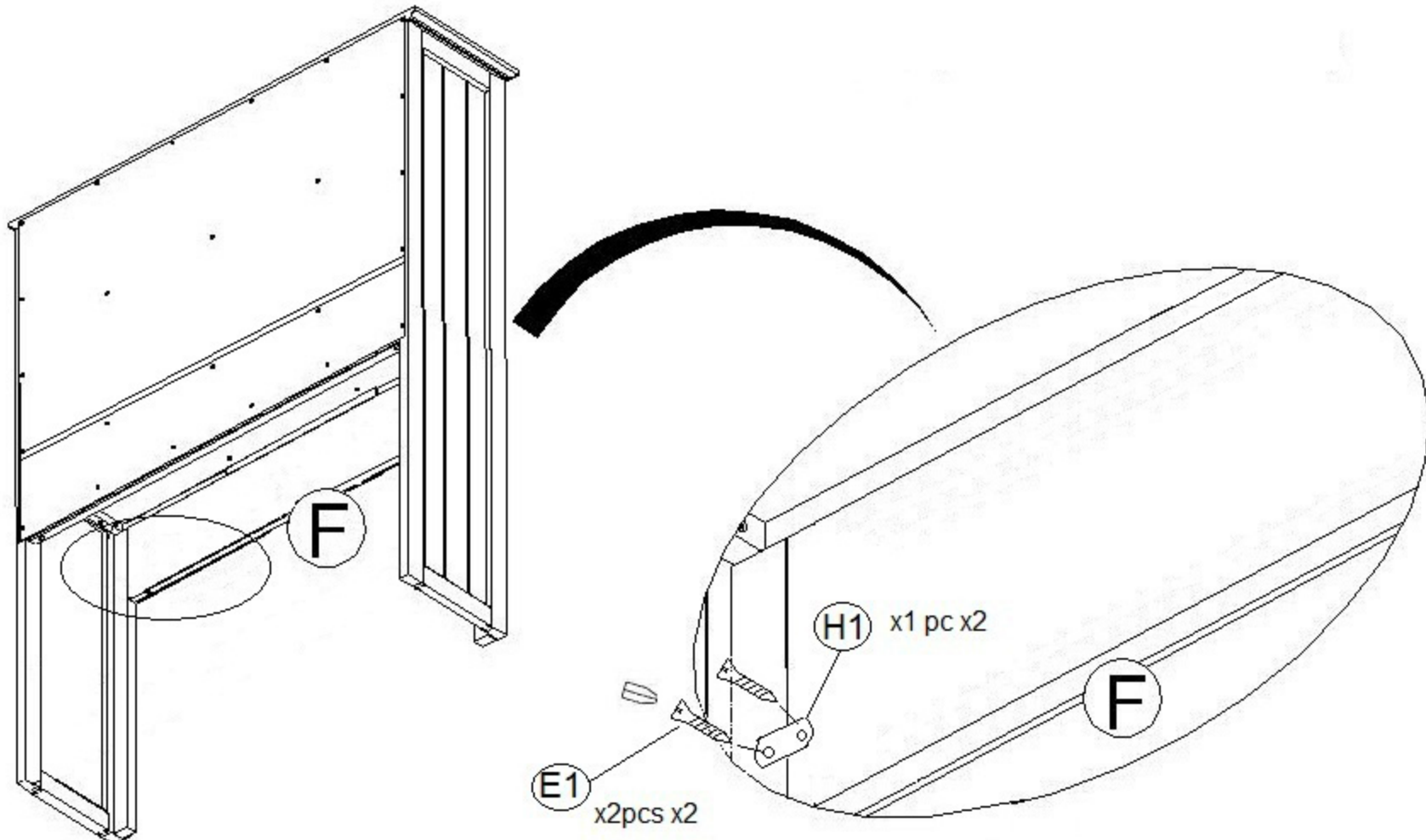
STEP 4



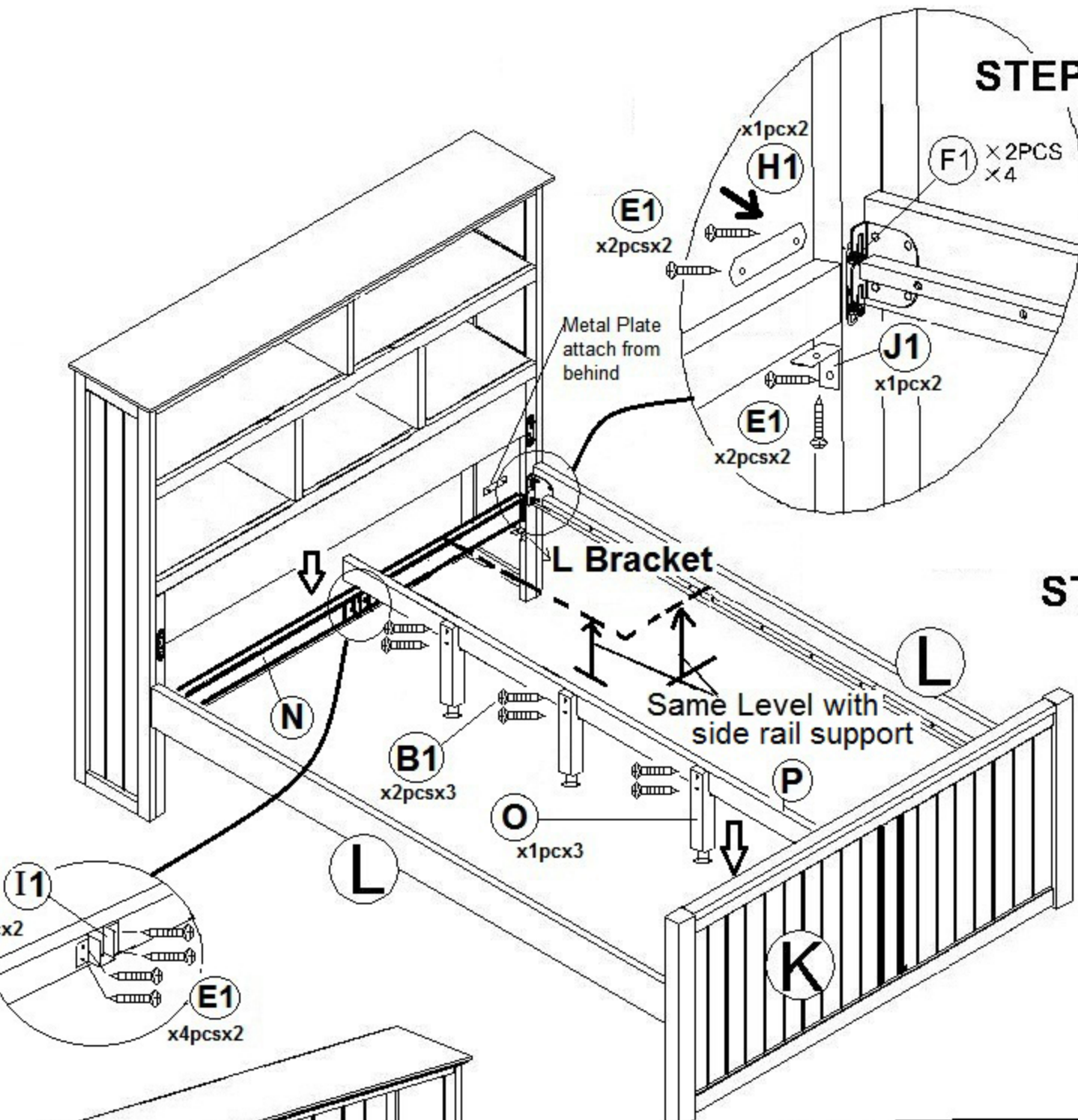
STEP 5



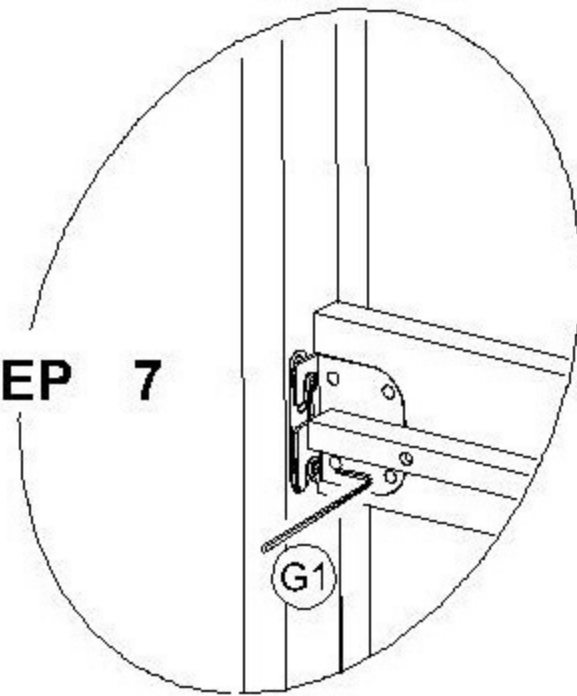
STEP 6



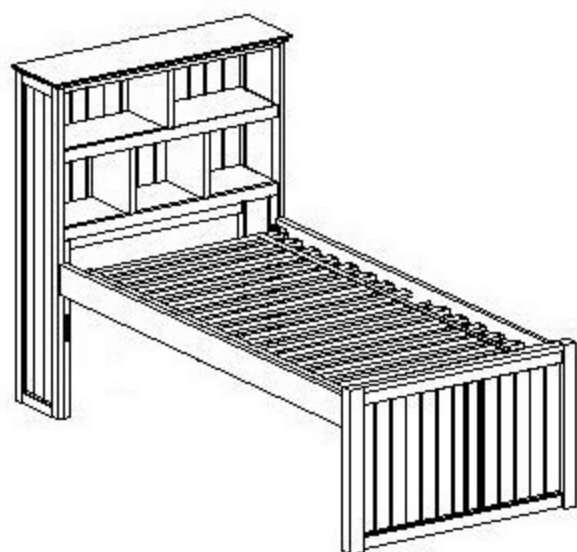
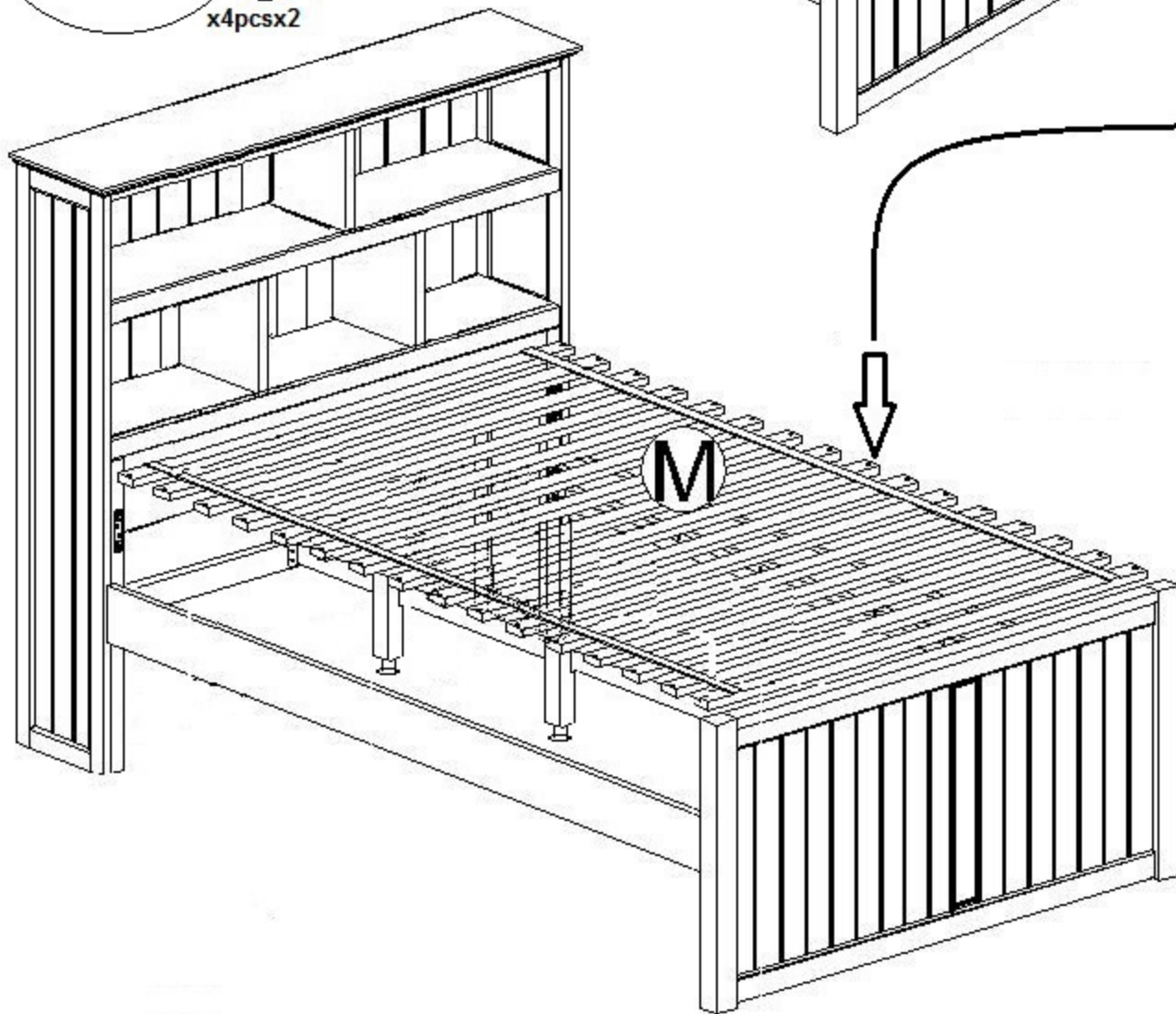
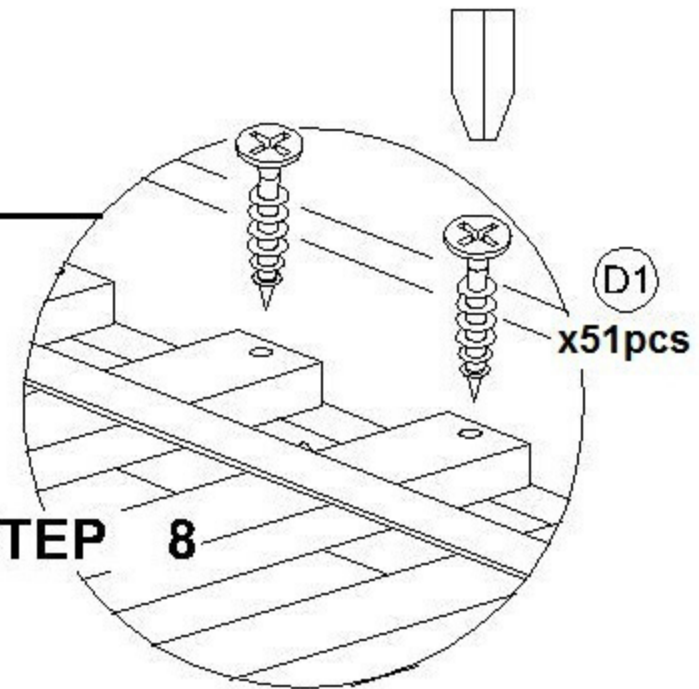
STEP 6



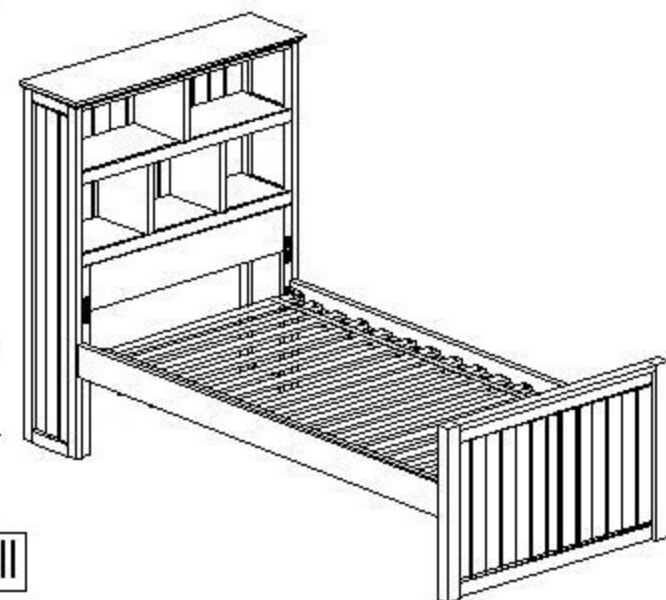
STEP 7



STEP 8



OR



Fully Assembled Twin Over Full