

# Assembly Instructions

## 3106 Full Captain Bed

### CONGRATULATIONS

You've purchased a fine product. All of our easy-to-assemble products are designed and carefully tested to meet the highest quality standards - Yours. We've included simple step-by-step instructions to help you quickly assemble your unit. Before you begin we recommend that you follow the steps below:

1. Please read the instructions thoroughly
2. Identify all parts and hardware, and
3. Gather the tool(s) necessary

**NOTE:** Do not tighten screws until unit is fully assembled. Only then tighten all screws.

### PARTS INFORMATION

To protect your parts during assembly.

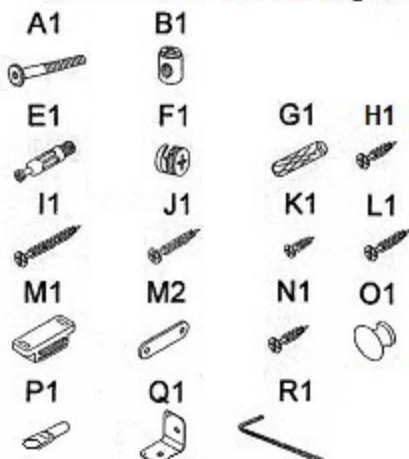
### CARE INSTRUCTIONS

To clean surface use only water on a damp cloth. Do not use window cleaners or cleaning abrasives as it will scratch the surface and could damage the protective coating.

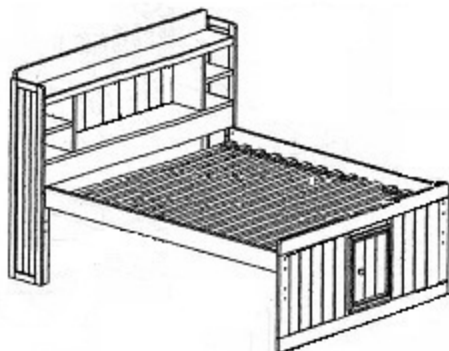
### Parts List

REF.	PART NAME	QUANTITY
A	Upper Horizontal Board	1
B	Lower Horizontal Board	1
C	Middle Vertical Board	2
D	Back Upper Horizontal Board	1
E	Middle Horizontal Board	2
F	Front Lower Middle Horizontal Board	1
G	Right Side Board	1
H	Left Side Board	1
I	Back Lower Crosspiece	1
J	Backboard	2
K	Footboard	1
L	Side Rails	2
M	Slat Roll	1
N	Door	1
O	Center Rail	1

### Hardware and Tools Diagram



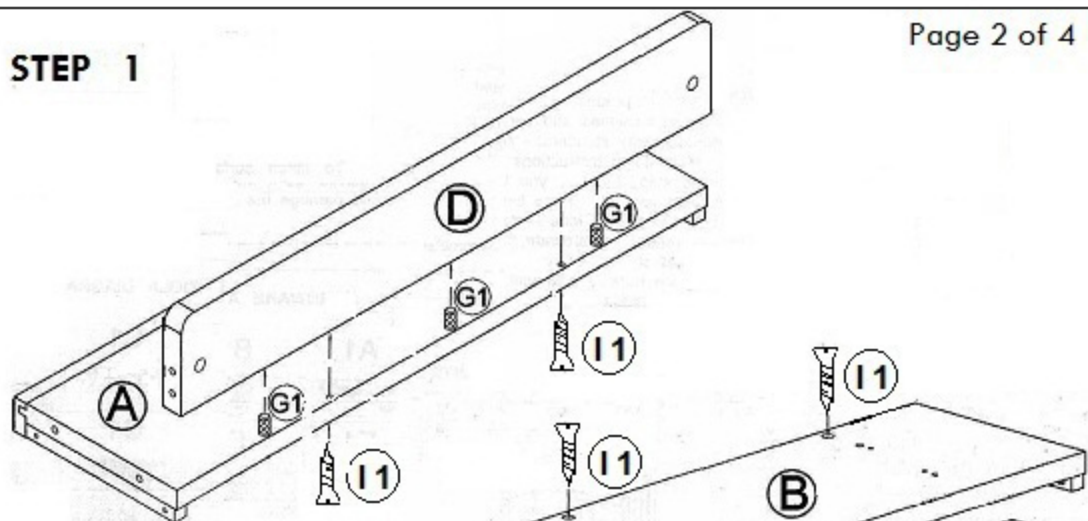
A1	Long Barrel Bolt	M6 x 70	8
B1	Barrel Nut		8
E1	Cam Screw		2
F1	Cam Lock		2
G1	Wood Dowel	10x30	26
H1	Wood screw	D4 x 16	4
I1	Wood Screw	D4 x 32	22
J1	Wood Screw	D 4 x 25	48
K1	Wood Screw	D3.5 x 12	8
L1	PH Screw		28
M1	Magnetic Sheet		1
M2	Metal Plate		1
N1	Wood Handle screw		1
O1	Wood Handle		1
P1	Shelf Fixing		8
Q1	L bracket		2
R1	Hex Key		1



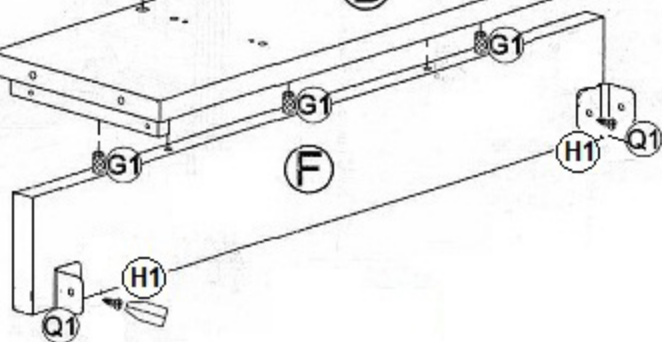
Note: You will also need a Phillips Screwdriver. (not included)

Note: You will need a flathead screwdriver to properly orientate the barrel nuts during assembly.

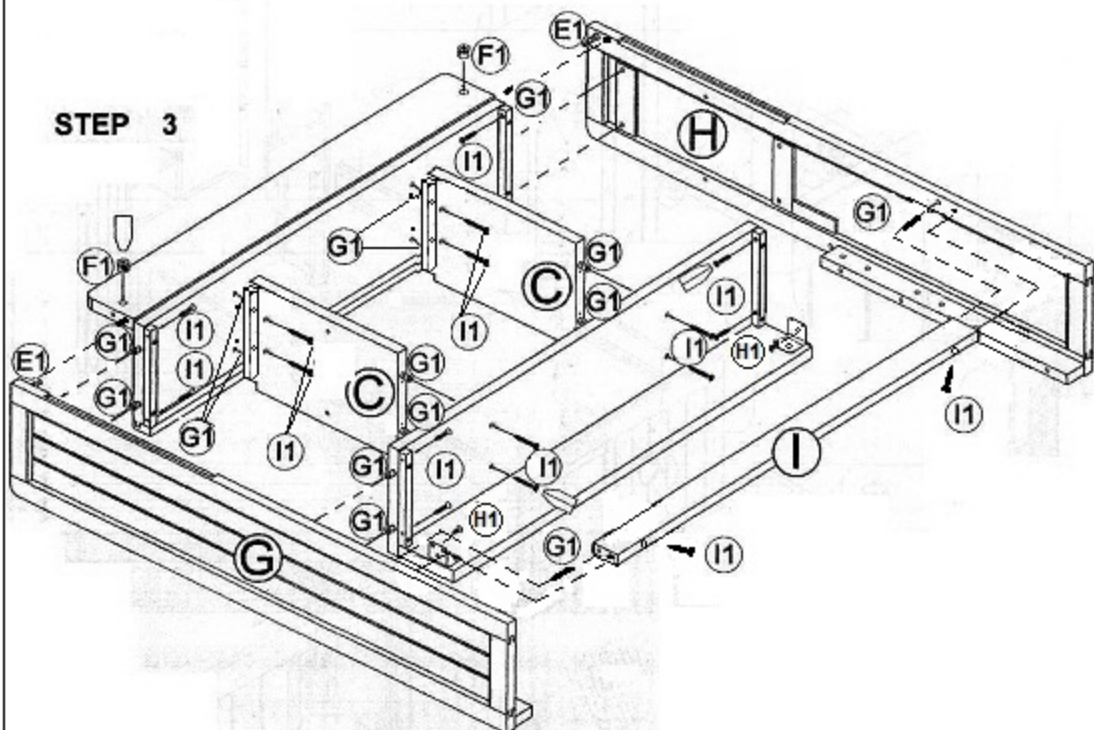
## STEP 1

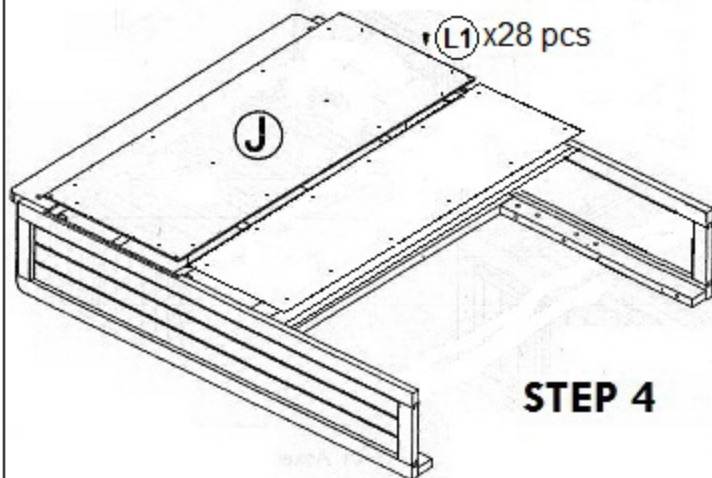
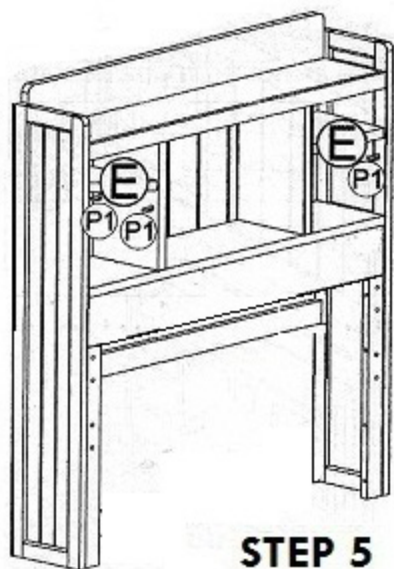
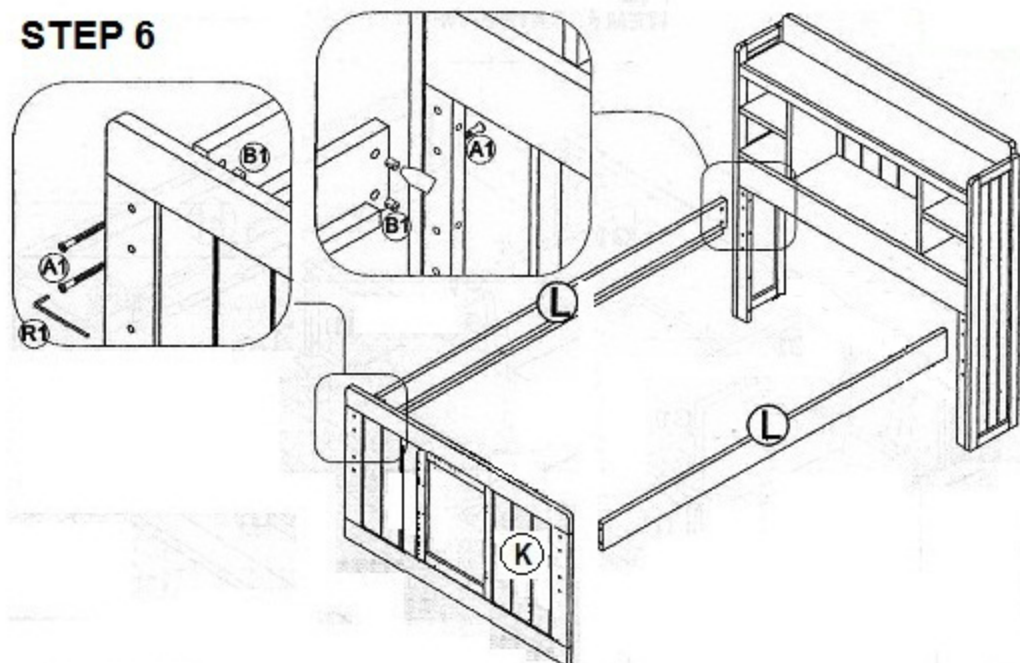


## STEP 2

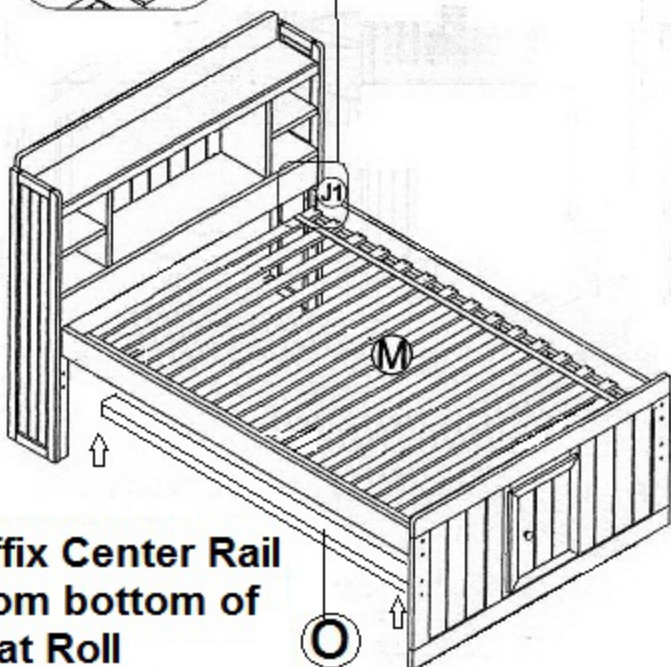
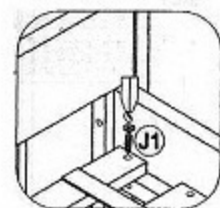


## STEP 3



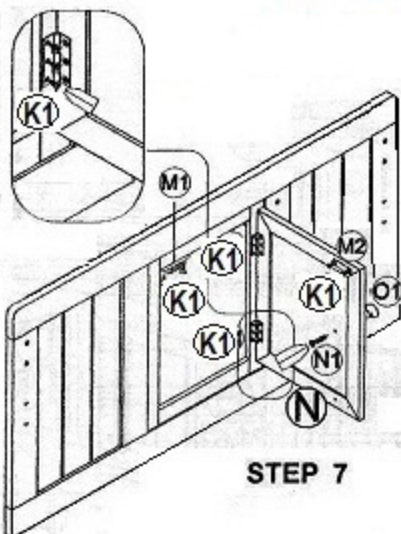
**STEP 4****STEP 5****STEP 6**

## STEP 8



Affix Center Rail  
from bottom of  
Slat Roll

O



## STEP 7

## STEP 9

