



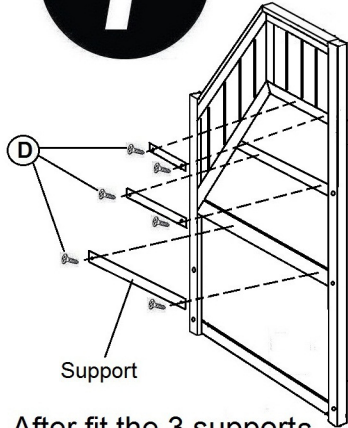


# Item: 2804

## Hardware List :

Item	Description		Qty
A	JCBC M6 x 40		5 pcs
B	CSK screw M4 x 32		7 pcs
C	Allen key		1 pc
D	CSK screw M4 x 16		6 pcs

## Step 1



After fit the 3 supports and turn this side face to inside.

## Step 2

