

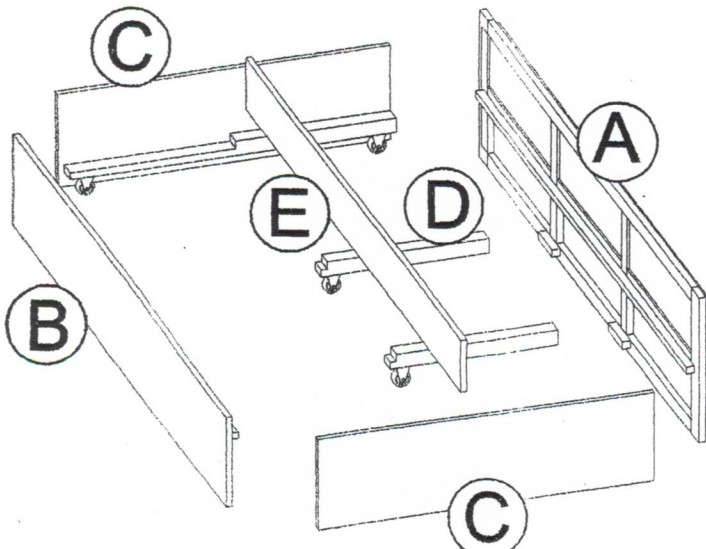
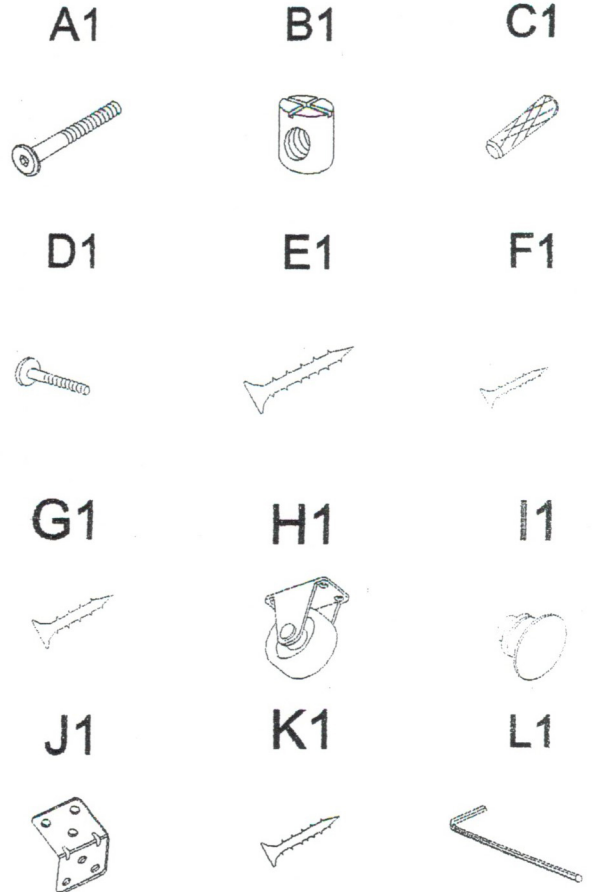
## ITEM # TTD-BB

Adult assembly required. For ages six and up.

### PARTS LIST

### HARDWARE AND TOOLS DIAGRAM

REF.	PART NAME	QUANTITY
A	Front Panel	1
B	Back Panel	1
C	Side Panels	2
D	Cross Slates	2
E	Center Panels	1
F	Drawers	3
G	Slat Roll	1
A1	Barrel Bolts D6×60	4
B1	Barrel Nuts	4
C1	Dowels D8×30	12
D1	Barrel Bolts D6×50	2
E1	Wood Screws D4.2×40	5
F1	Wood Screws D4.2×20	24
G1	Wood Screws D3.5×16	36
H1	Plastic Foot Wheels	6
I1	Wooden handie	3
J1	Iron triangle	6
K1	Wood Screws D4.2×25	30
L1	Hex Key	1

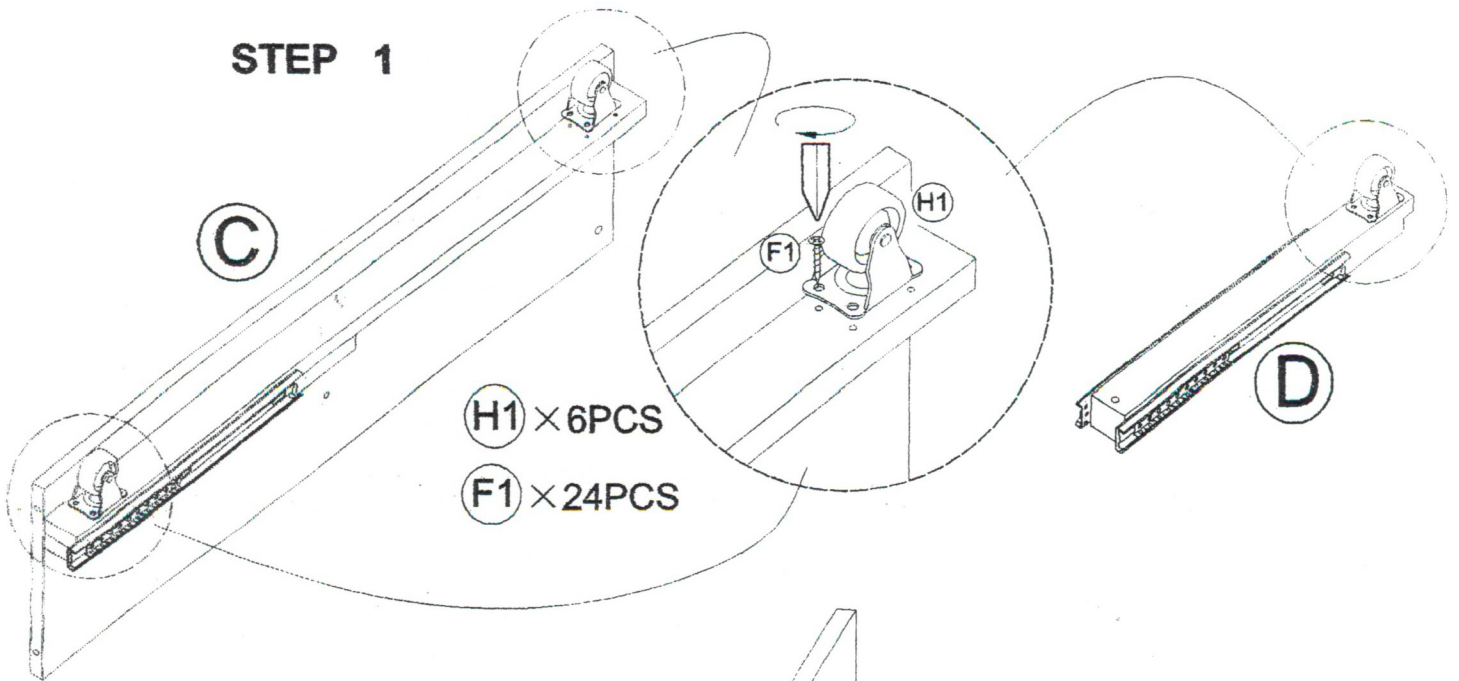


Note: You will also need a Phillips Screwdriver (not included)

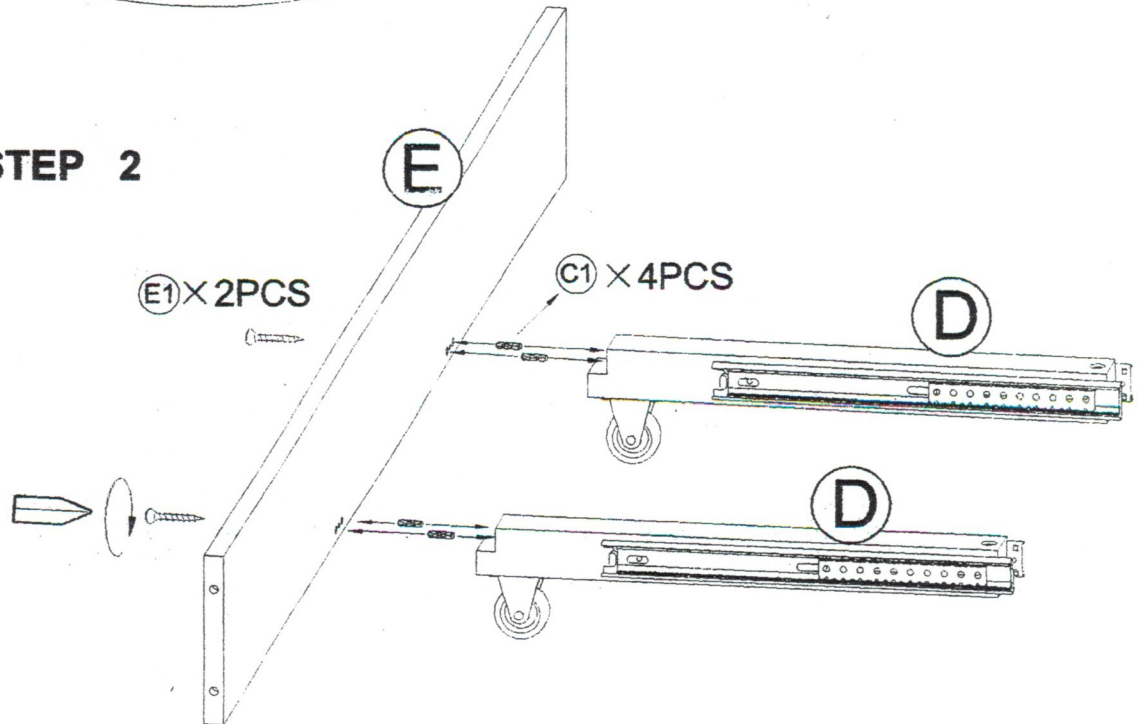
Note: You will need a flathead screwdriver to properly orientate the barrel nuts during assembly.

ITEM # TTD-BB

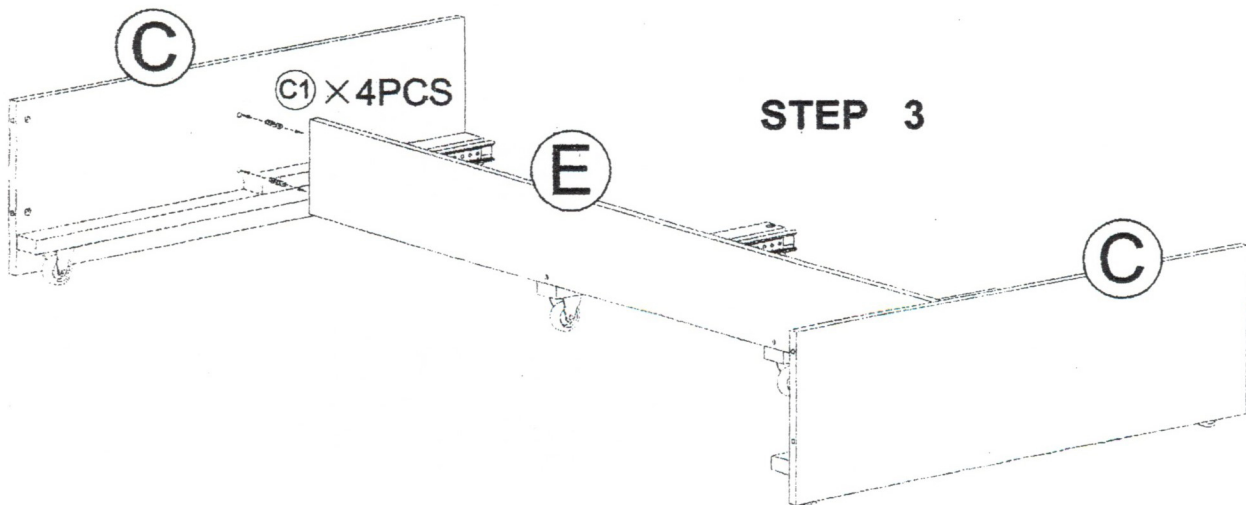
STEP 1



STEP 2

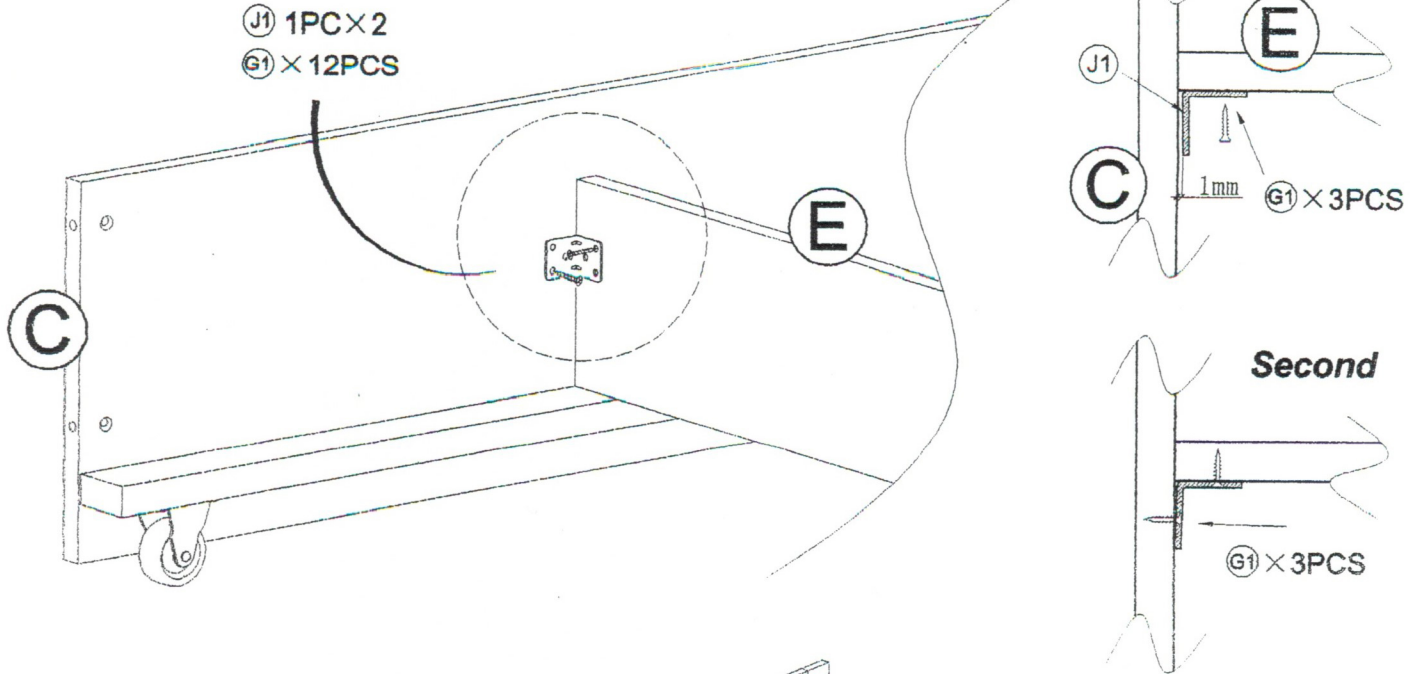


STEP 3

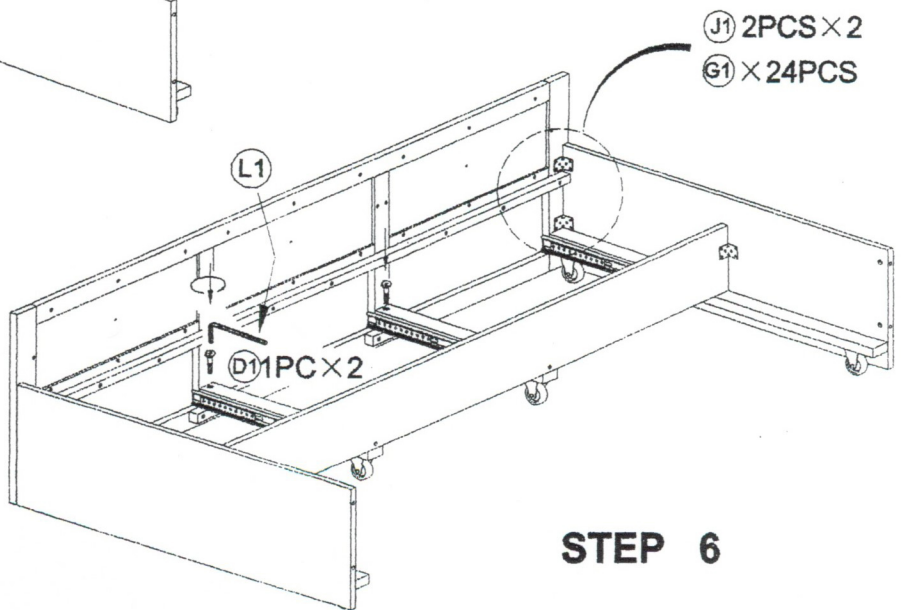
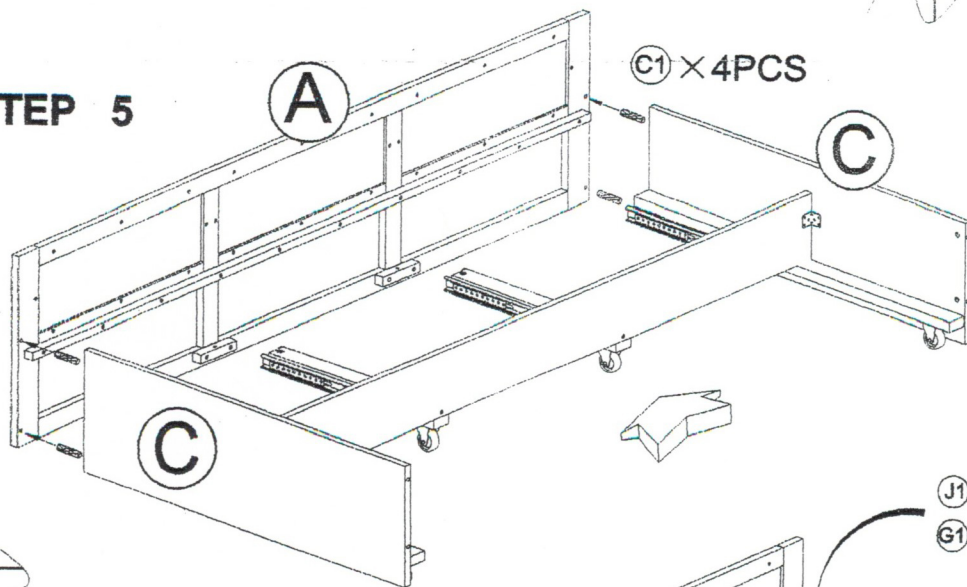


ITEM # TTD-BB

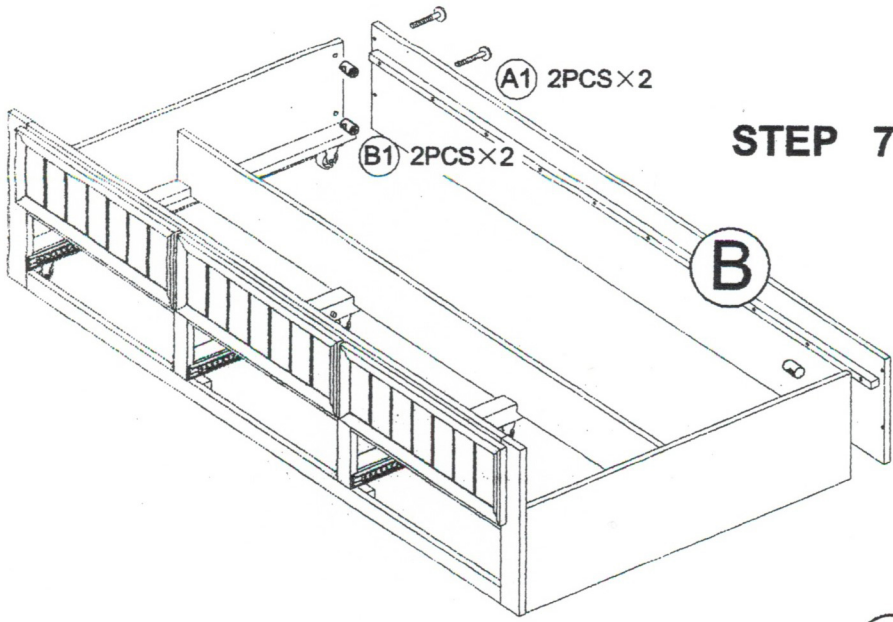
STEP 4



STEP 5



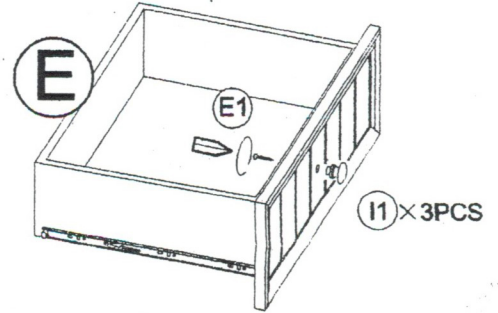
ITEM # TTD-BB



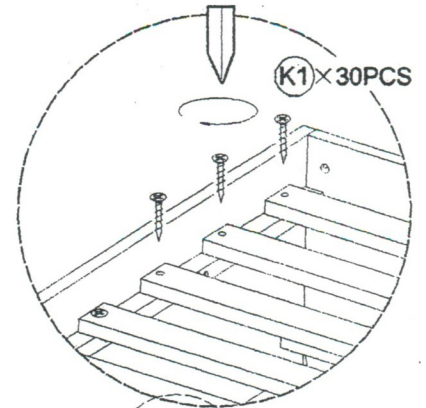
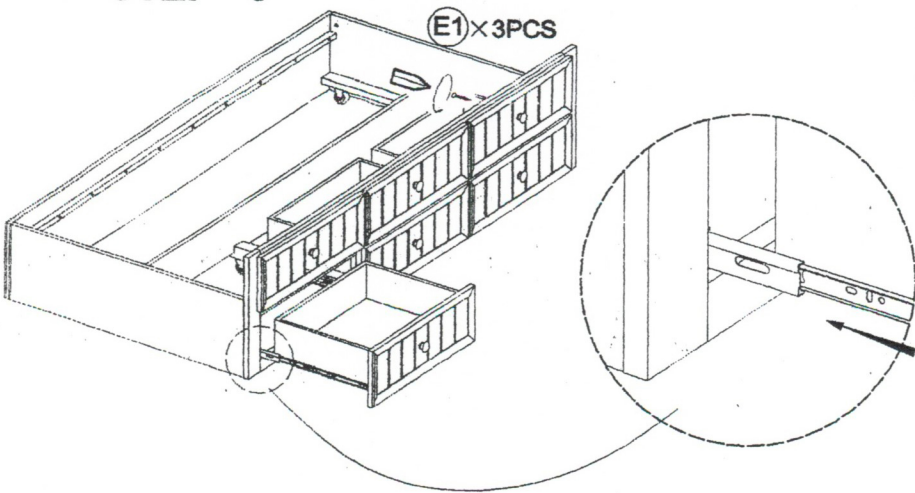
STEP 7



STEP 8



STEP 9



G

STEP 10

