

# Assembly Instruction

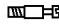

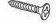
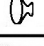




# TWIN COMBO TRUNDLE

# 1933

## Part List :

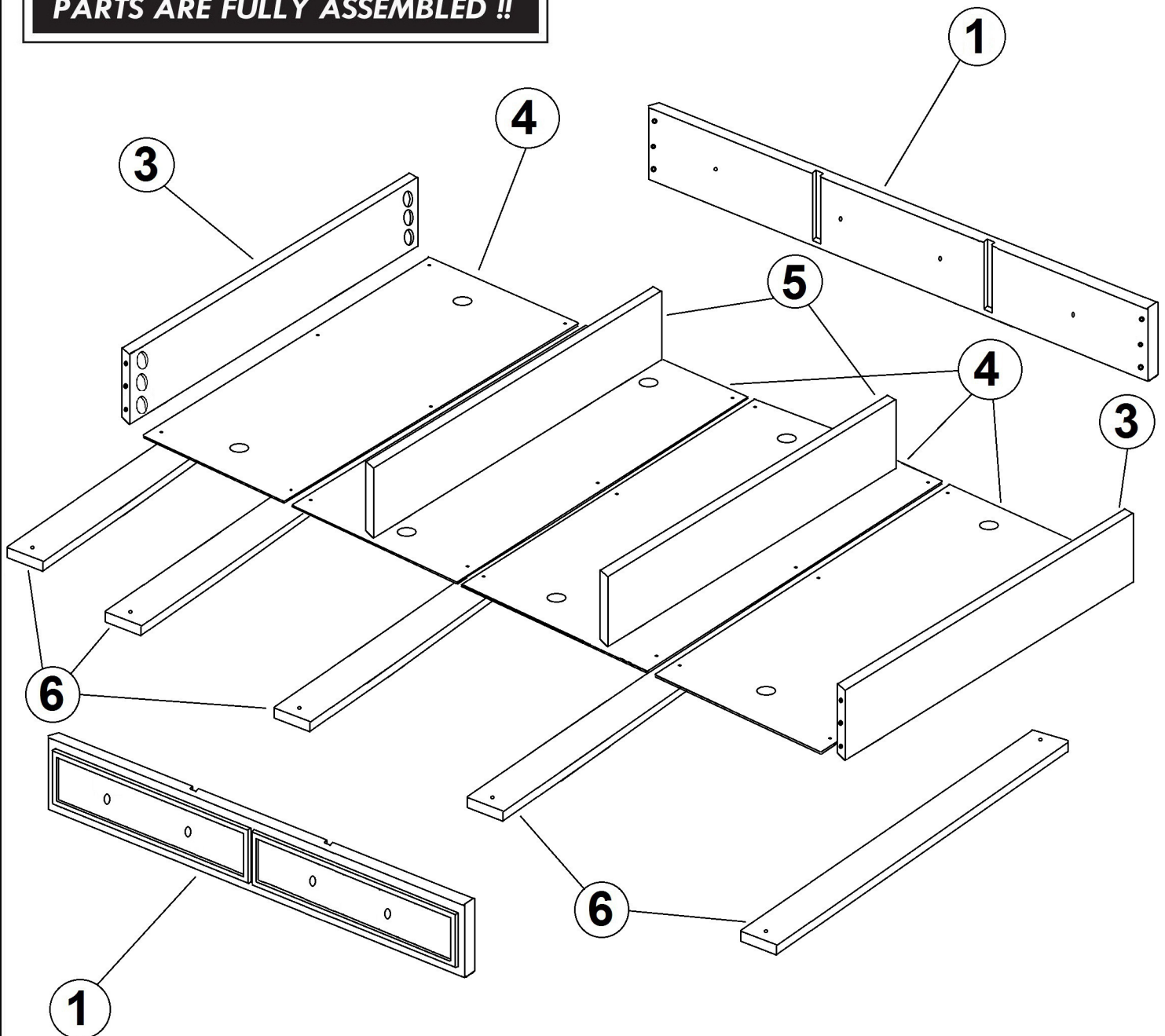
Item	Description	Qty
1	Front Panel	2 pcs
3	Side Panel	2 pcs
4	Base Board	4 pcs
5	Divider	2 pcs
6	Slats	5 pcs

## Hardware List :

Item	Description	Qty
A	Fitting Bolt 	12 pcs
B	Nut 	12 pcs
C	CSK screw 4 x 16 	56 pcs
D	Drawer Knob 	8 pcs
E	PH M4 x 38 	8 pcs
F	Castor 	8 pcs
G	Allen key M4 	1 pc
H	JCBC M6 x 40 	10 pcs

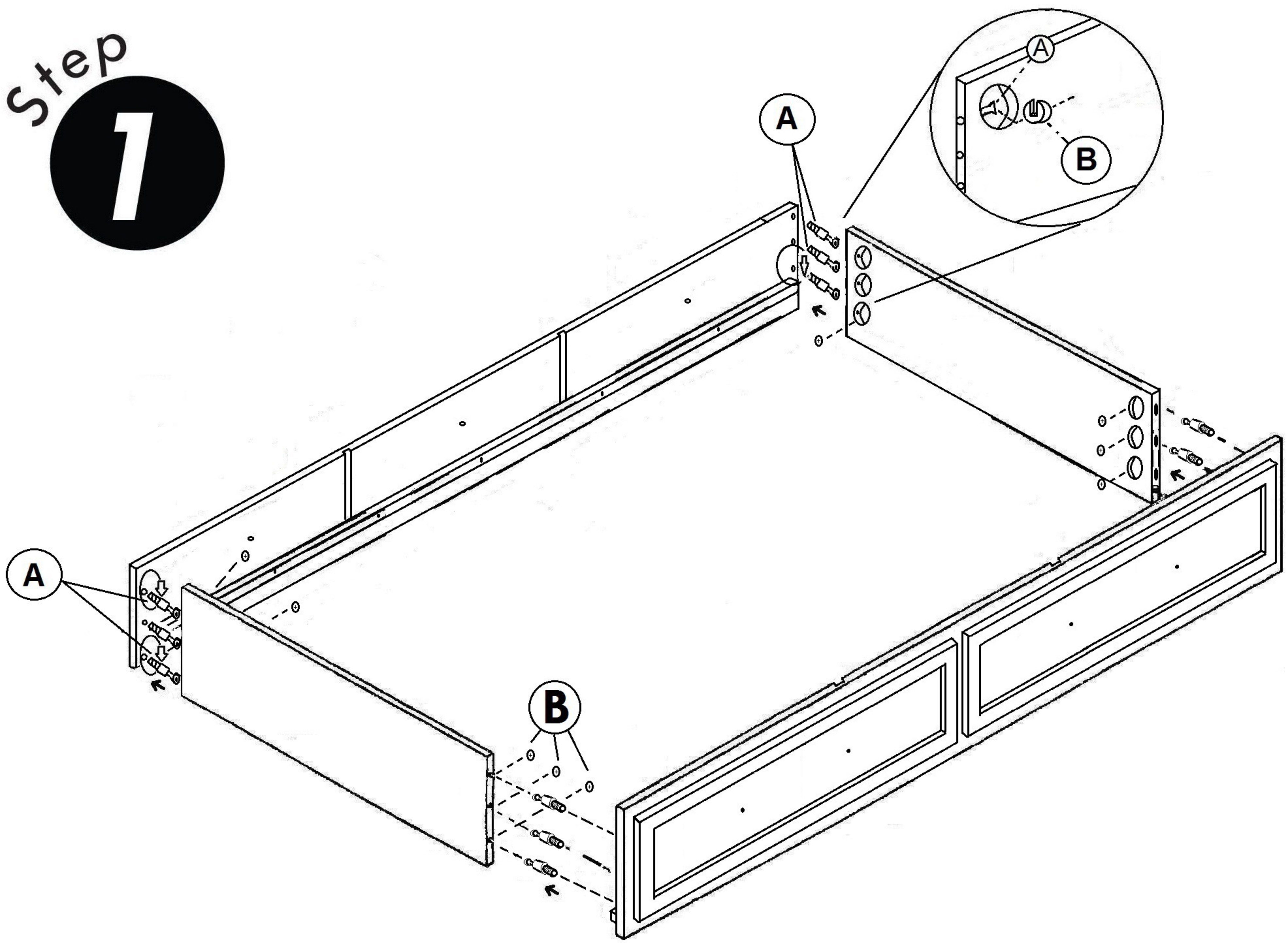
## DO NOT

**TIGHTEN SCREWS BEFORE ALL PARTS ARE FULLY ASSEMBLED !!**

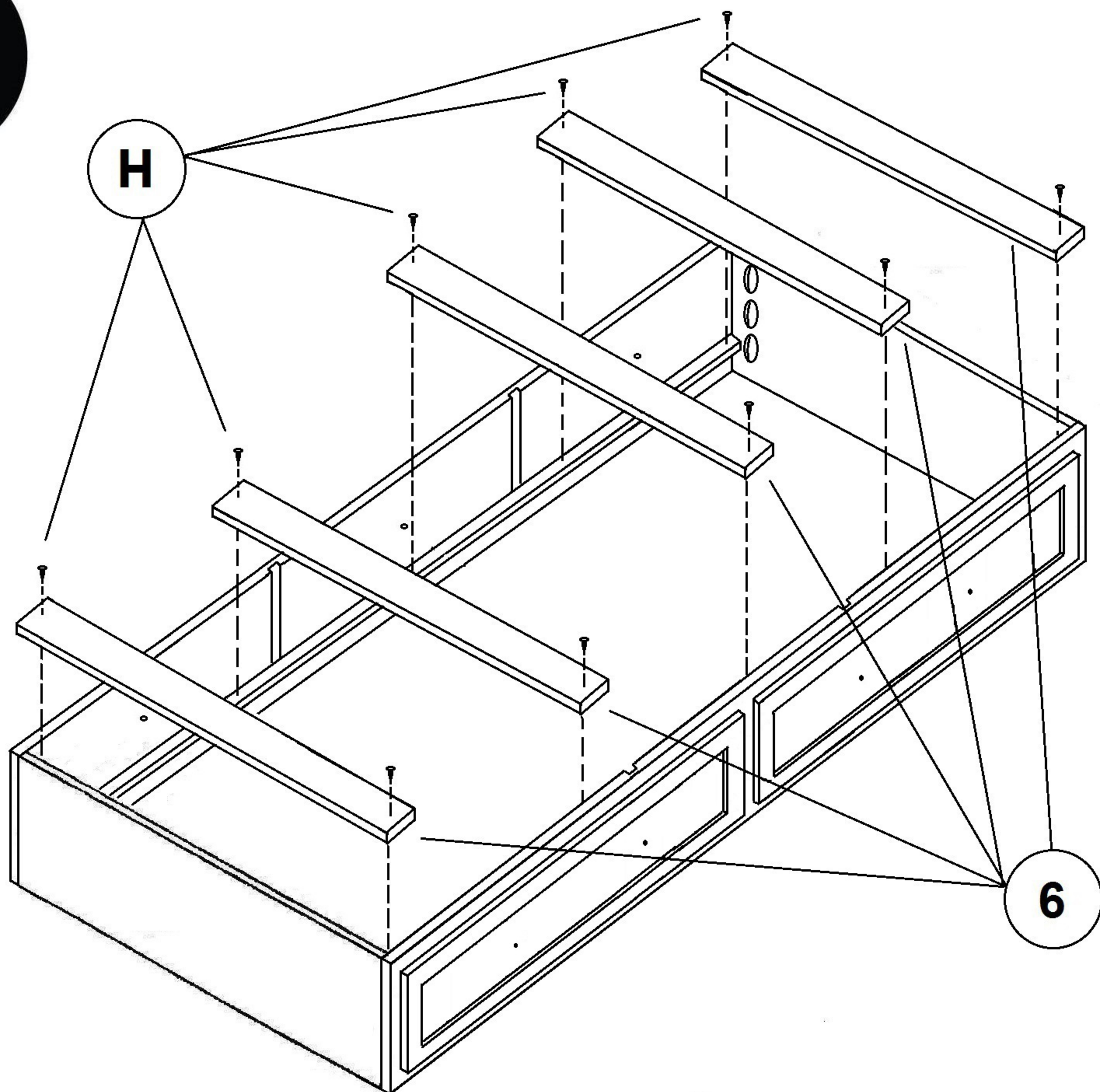




Step **1**



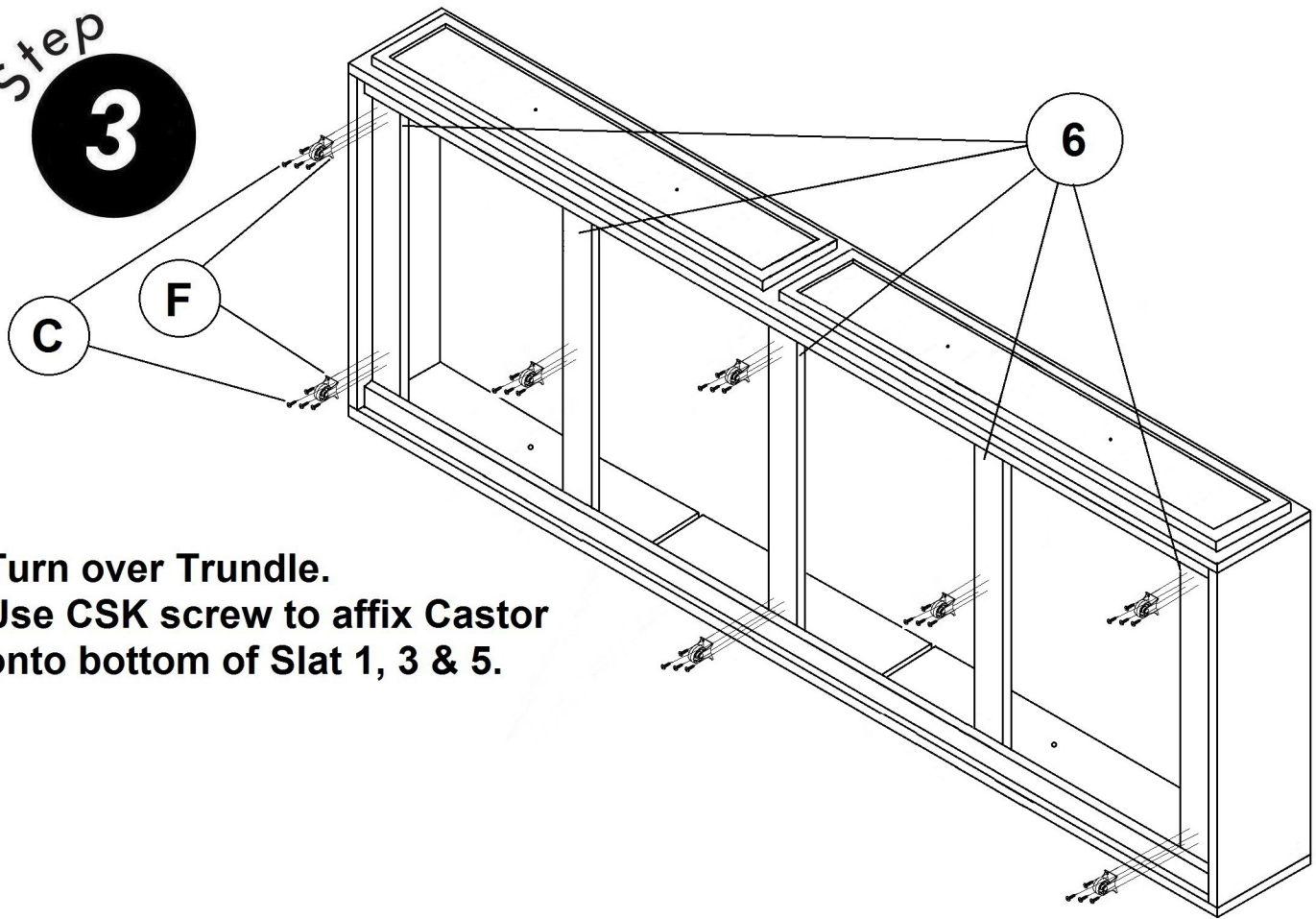
Step **2**





Step

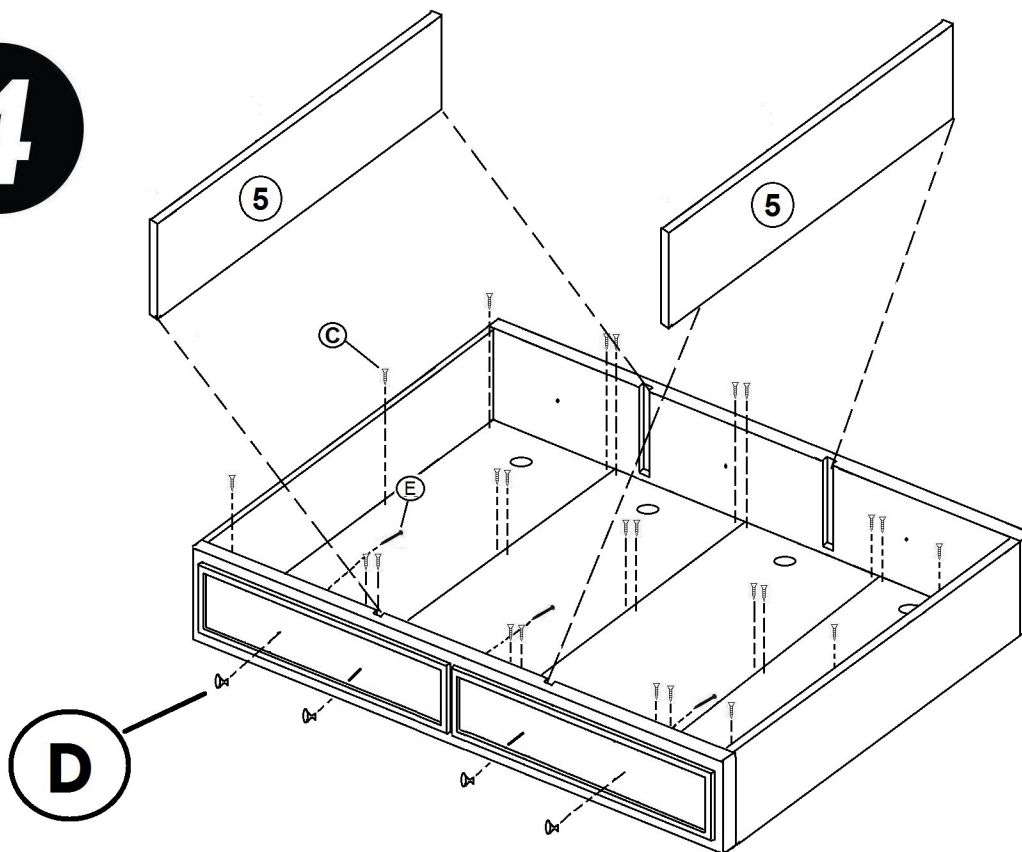
3



Turn over Trundle.  
Use CSK screw to affix Castor  
onto bottom of Slat 1, 3 & 5.

Step

4



Place Base Boards over Slats.  
Tighten using CSK screws.  
Place Dividers into slots.

Finally, affix Drawer Knob  
with PH screw.