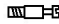

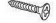

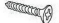


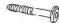


Assembly Instruction TWIN COMBO TRUNDLE BEADBOARD 1931

Part List :

Item	Description	Qty
1	Front Panel	2 pcs
3	Side Panel	2 pcs
4	Base Board	4 pcs
5	Divider	2 pcs
6	Slats	5 pcs

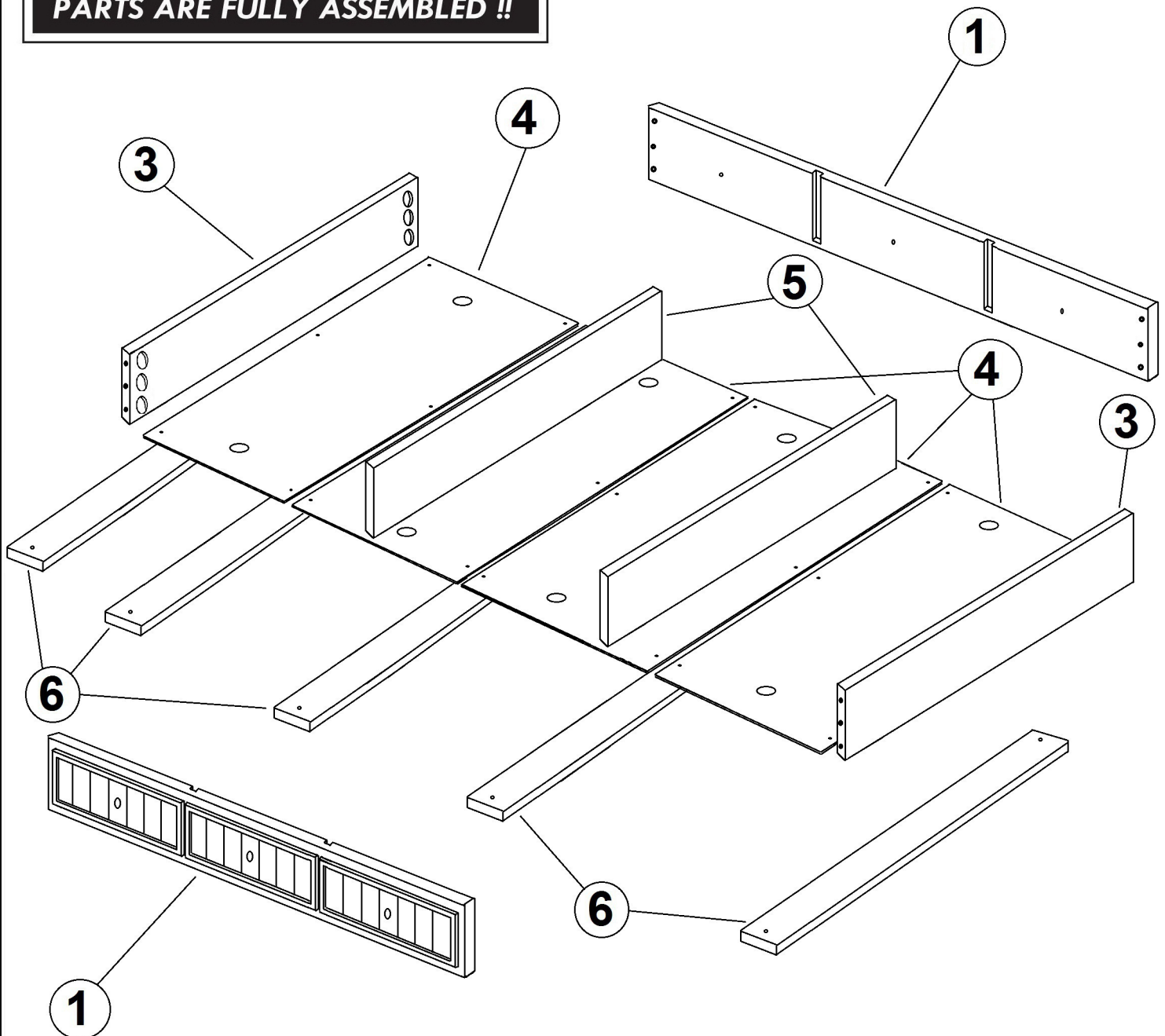
Hardware List :

Item	Description	Qty
A	Fitting Bolt 	12 pcs
B	Nut 	12 pcs
C	CSK screw 4 x 16 	56 pcs
D	Drawer Knob 	6 pcs
E	PH M4 x 30 	6 pcs
F	Castor 	8 pcs
G	Allen key M4 	1 pc
H	JCBC M6 x 40 	10 pcs

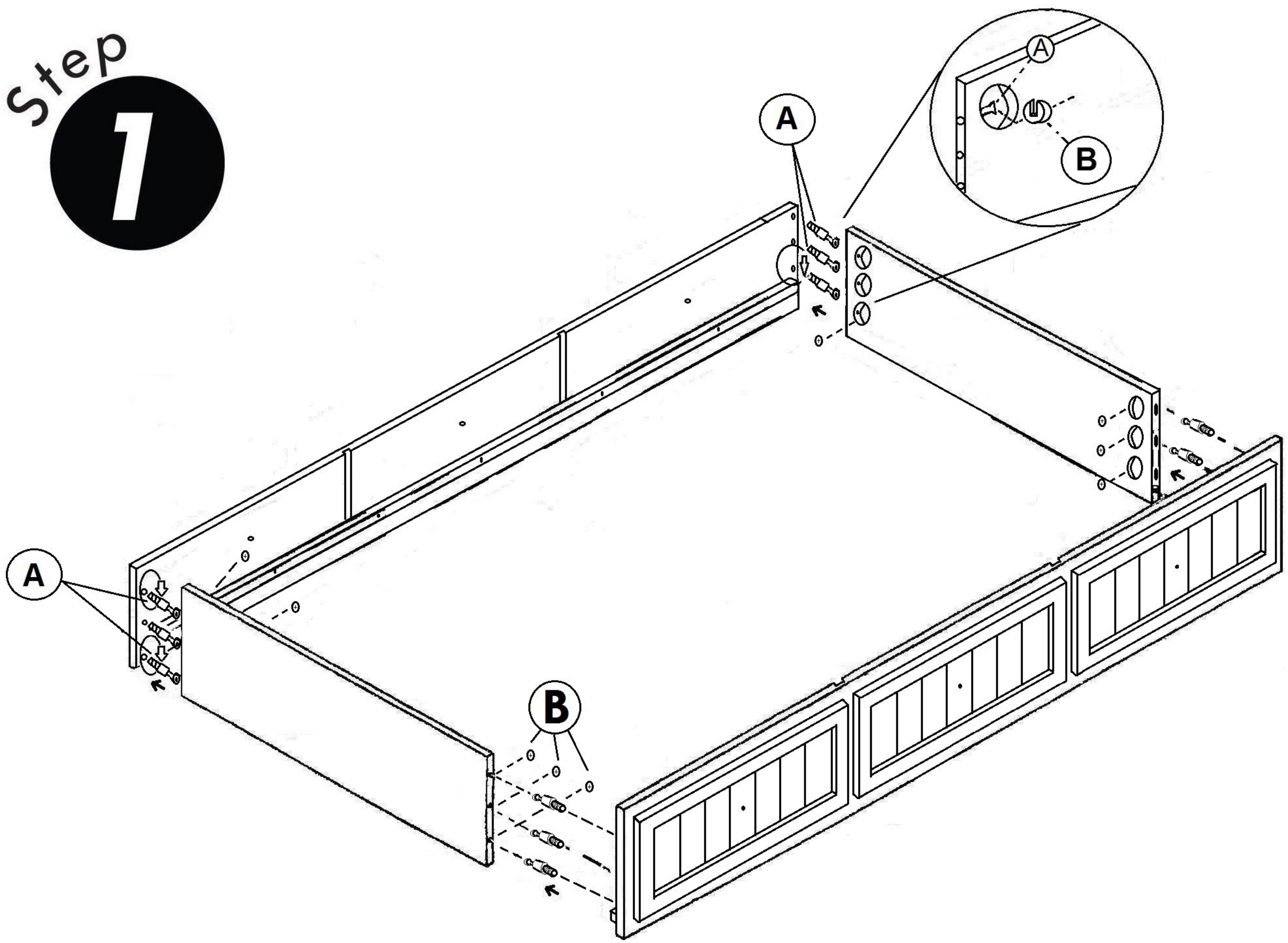
1931

DO NOT

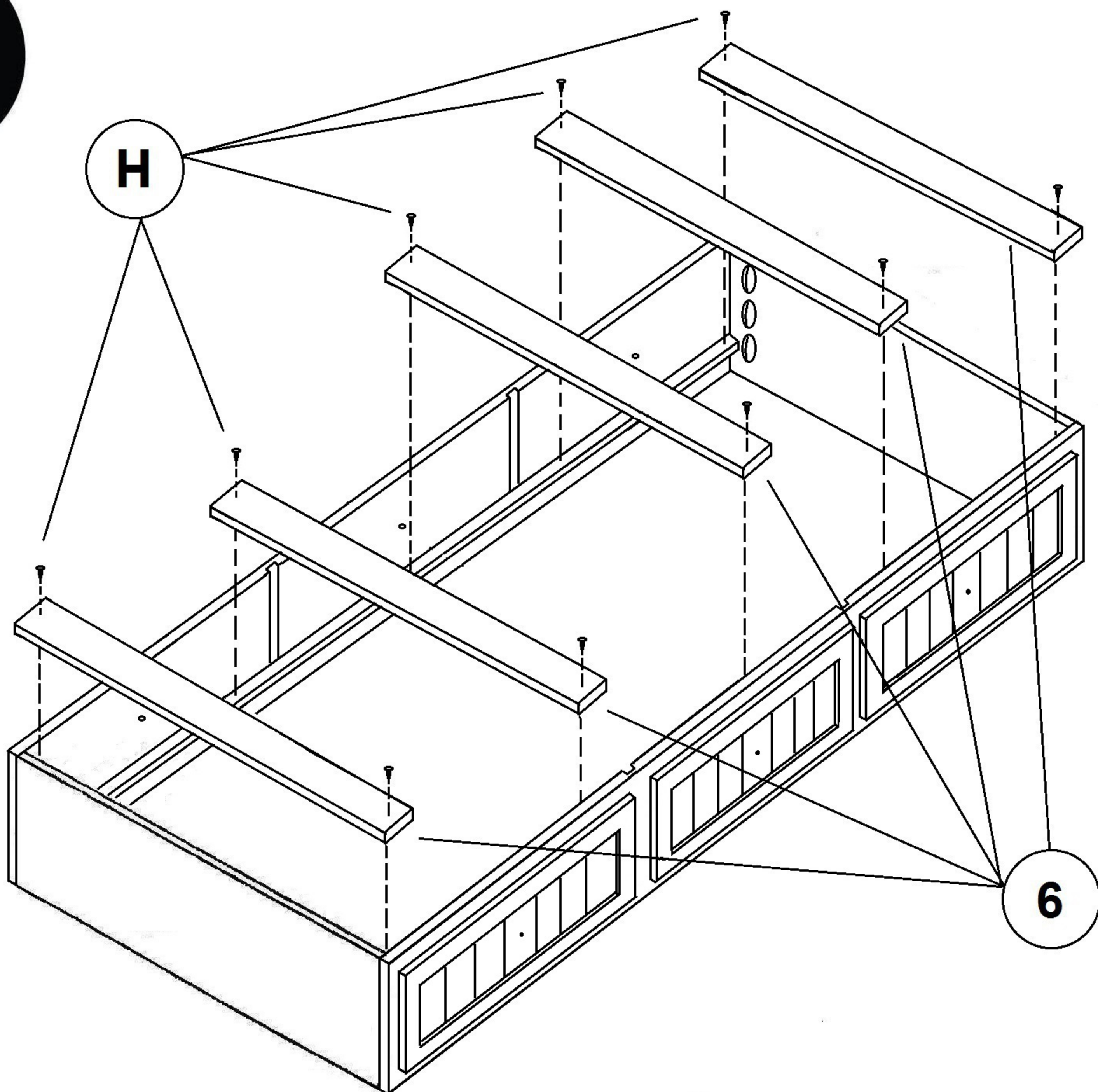
TIGHTEN SCREWS BEFORE ALL PARTS ARE FULLY ASSEMBLED !!



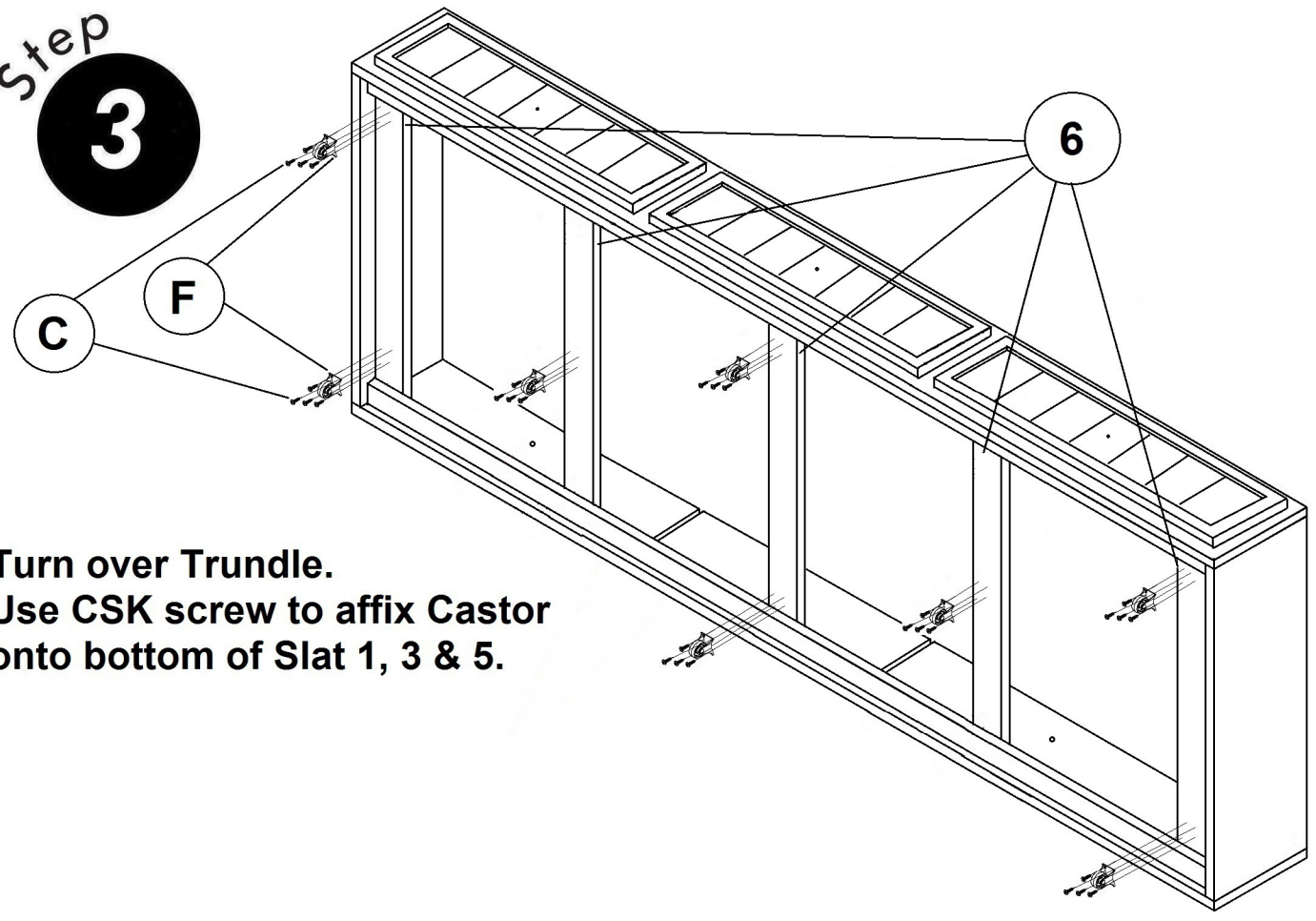
Step **1**



Step **2**

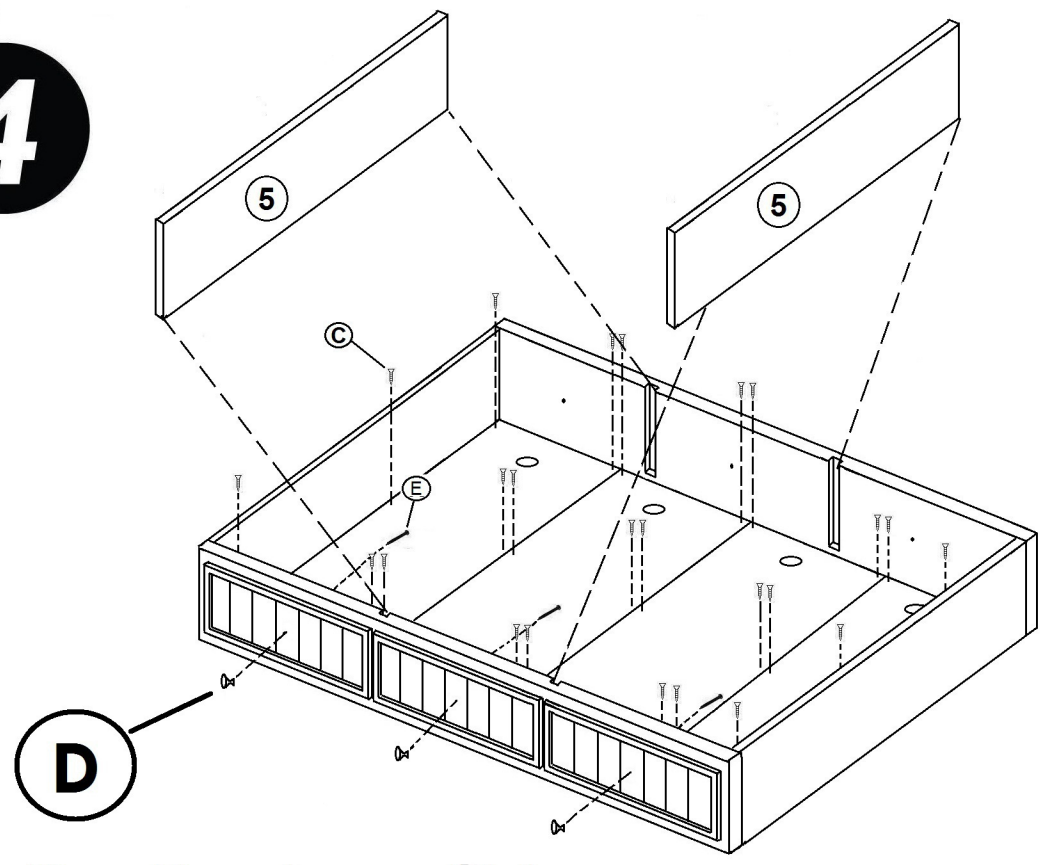


Step
3



Turn over Trundle.
Use CSK screw to affix Castor
onto bottom of Slat 1, 3 & 5.

Step
4



Place Base Boards over Slats.
Tighten using CSK screws.
Place Dividers into slots.

Finally, affix Drawer Knob
with PH screw.