

Assembly Instructions

0958 Full Loft Bed

Adult assembly required. For ages six and up.

CONGRATULATIONS

You've purchased a fine product. All of our easy-to-assemble products are designed and carefully tested to meet the highest quality standards - Yours. We've included simple step-by-step instructions to help you quickly assemble your unit. Before you begin we recommend that you follow the steps below:

1. Please read the instructions thoroughly
2. Identify all parts and hardware, and
3. Gather the tool(s) necessary

NOTE: Do not tighten screws until unit is fully assembled. Only then tighten all screws.

PARTS INFORMATION

To protect your parts during assembly.

CARE INSTRUCTIONS

To clean surface use only water on a damp cloth. Do not use window cleaners or cleaning abrasives as it will scratch the surface and could damage the protective coating.

PARTS LIST

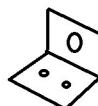
| REF. | PART NAME | QUANTITY |
|------|--------------------|----------|
| A | Left Headboard | 1 |
| B | Right Headboard | 1 |
| C | Back Side Rail | 1 |
| D | Front Side Rail | 1 |
| E | Slats | 1 |
| F | Front Guardrail | 1 |
| G | Back Guardrail | 1 |
| H | Bottom Side Rail | 1 |
| I | Ladder | 1 |
| K | Slats Support Rail | 1 |
| L | Center Rail | 1 |
| M | Whiteboard | 1 |

HARDWARE AND TOOLS DIAGRAM

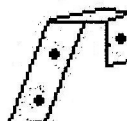
A1 B1 C1



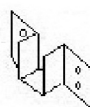
D1 E1 F1



G1 H1 I1



J1 K1 L1



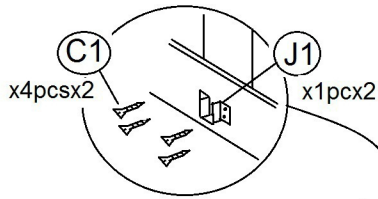
| | | |
|----|---------------------------|----|
| A1 | JCBB M8 x 25 | 12 |
| B1 | "L" Bracket | 4 |
| C1 | CSK Screw 16 | 36 |
| D1 | "L" Bracket (Big) | 8 |
| E1 | CSK Screw 25 | 60 |
| F1 | Knob | 5 |
| G1 | Ladder Hook (Long Ladder) | 2 |
| H1 | Allen Key M5 | 1 |
| I1 | Metal Plate | 2 |
| J1 | U Bracket | 2 |
| K1 | JCBC M6 x30 | 8 |
| L1 | Allen Key M4 | 1 |



Note: You will also need a Phillips Screwdriver (not included)

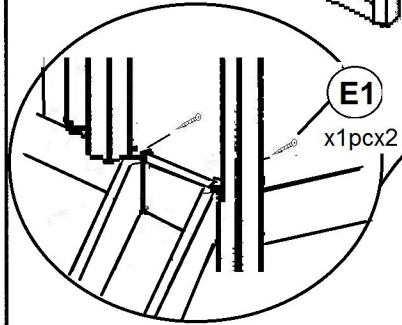
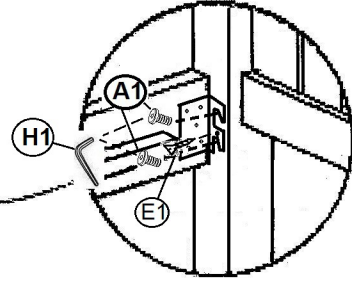
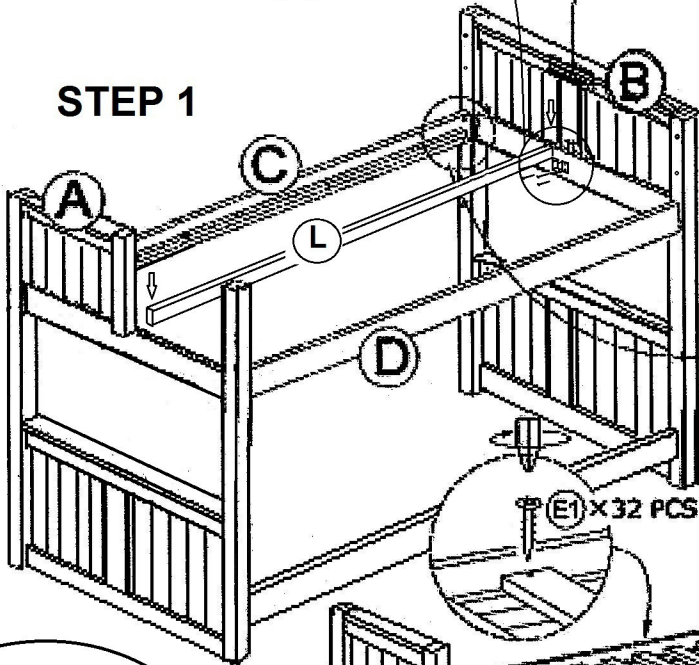


Note: You will need a flathead screwdriver to properly orientate the barrel nuts during assembly.

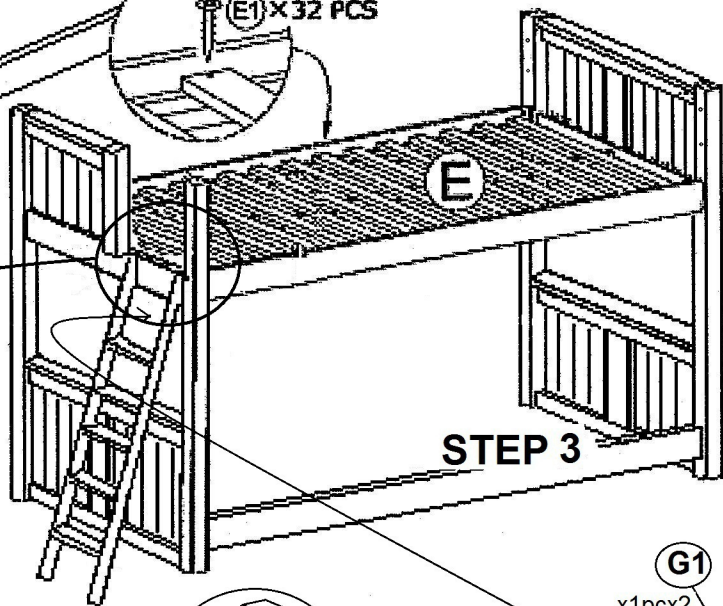


Please note: The **WARNING** label must be on the inside of the bed end before you assemble the bed.

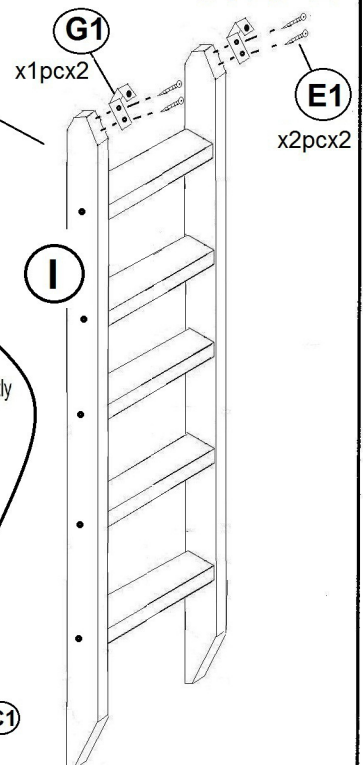
STEP 1



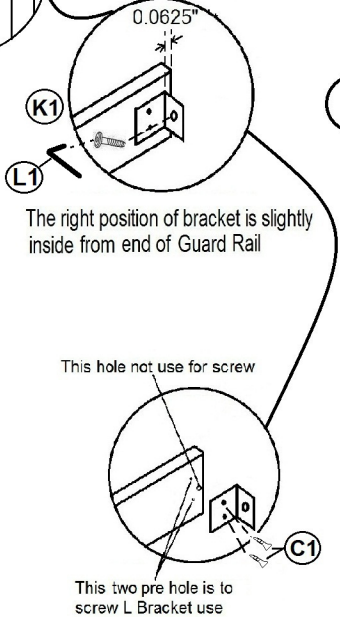
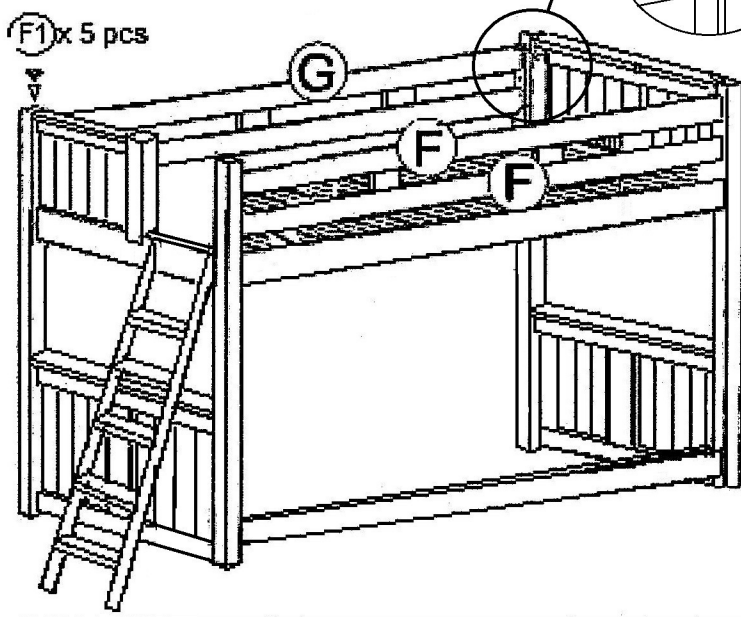
STEP 3



STEP 2



STEP 4



To Attach White Board

