

# Assembly Instructions

## 0955 Twin Loft Bed

Adult assembly required. For ages six and up.

### CONGRATULATIONS

You've purchased a fine product. All of our easy-to-assemble products are designed and carefully tested to meet the highest quality standards - Yours. We've included simple step-by-step instructions to help you quickly assemble your unit. Before you begin we recommend that you follow the steps below:

1. Please read the instructions thoroughly
2. Identify all parts and hardware, and
3. Gather the tool(s) necessary

**NOTE:** Do not tighten screws until unit is fully assembled. Only then tighten all screws.

### PARTS INFORMATION

To protect your parts during assembly.

### CARE INSTRUCTIONS

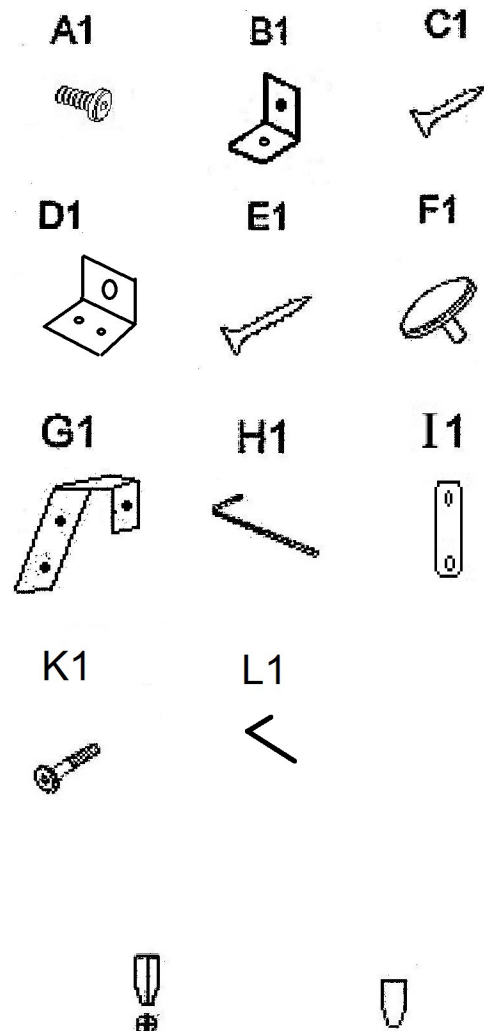
To clean surface use only water on a damp cloth. Do not use window cleaners or cleaning abrasives as it will scratch the surface and could damage the protective coating.

### PARTS LIST

REF.	PART NAME	QUANTITY
A	Left Headboard	1
B	Right Headboard	1
C	Back Side Rail	1
D	Front Side Rail	1
E	Slats	1
F	Front Guardrail	1
G	Back Guardrail	1
H	Bottom Side Rail	1
I	Ladder	1
K	Slats Support Rail	1
M	Whiteboard	1

A1	JCBB M8 x 25	12
B1	"L" Bracket	4
C1	CSK Screw 16	36
D1	"L" Bracket (Big)	8
E1	CSK Screw 25	44
F1	Knob	5
G1	Ladder Hook (Long Ladder)	2
H1	Allen Key M5	1
I1	Metal Plate	2
K1	JCBC M6 x30	8
L1	Allen Key M4	1

### HARDWARE AND TOOLS DIAGRAM

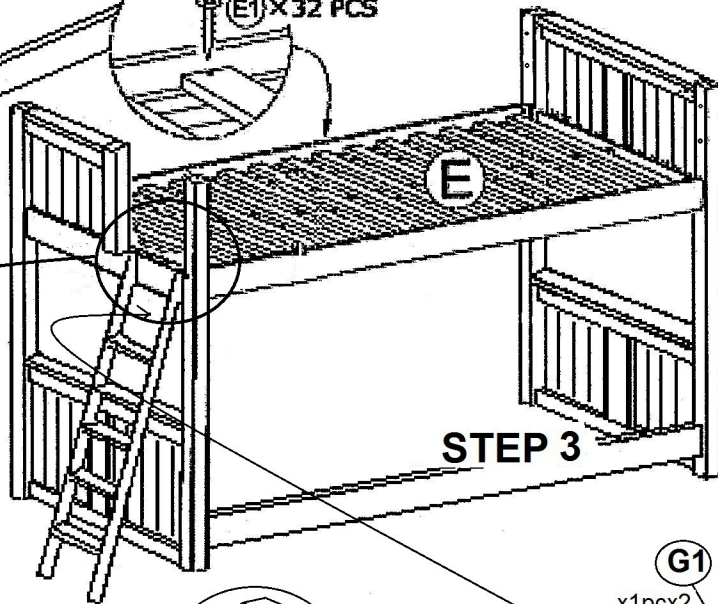
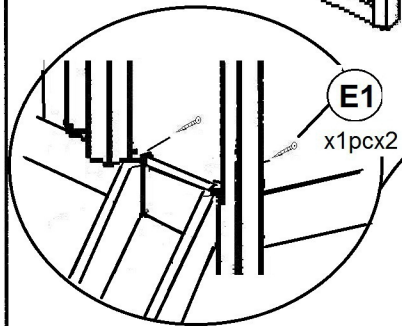
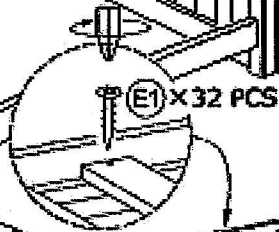
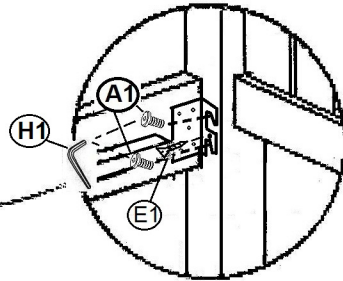
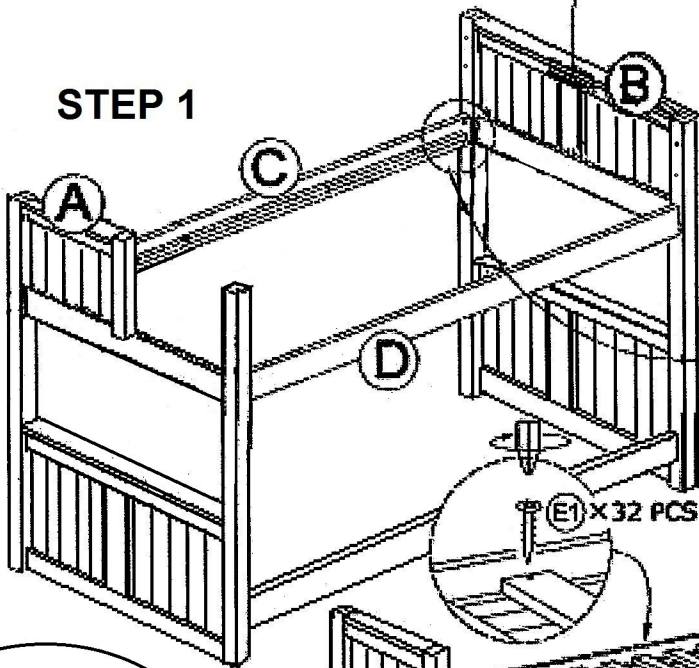


Note: You will also need a Phillips Screwdriver (not included)

Note: You will need a flathead screwdriver to properly orientate the barrel nuts during assembly.

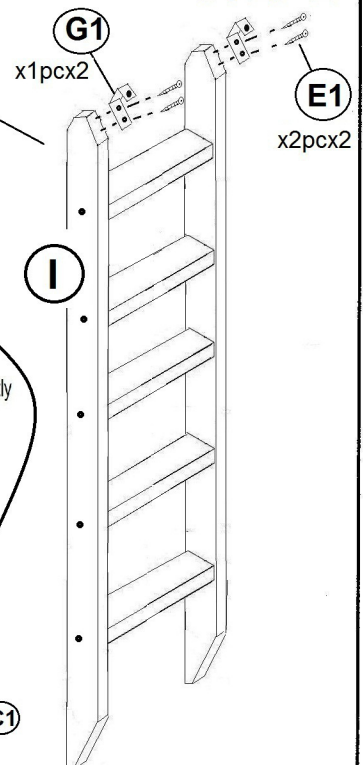
Please note: The **WARNING** label must be on the inside of the bed end before you assemble the bed.

**STEP 1**

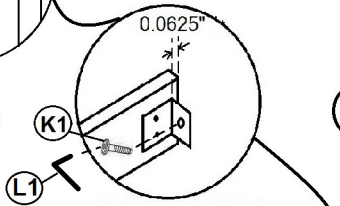
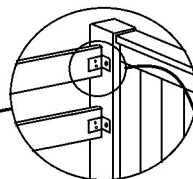
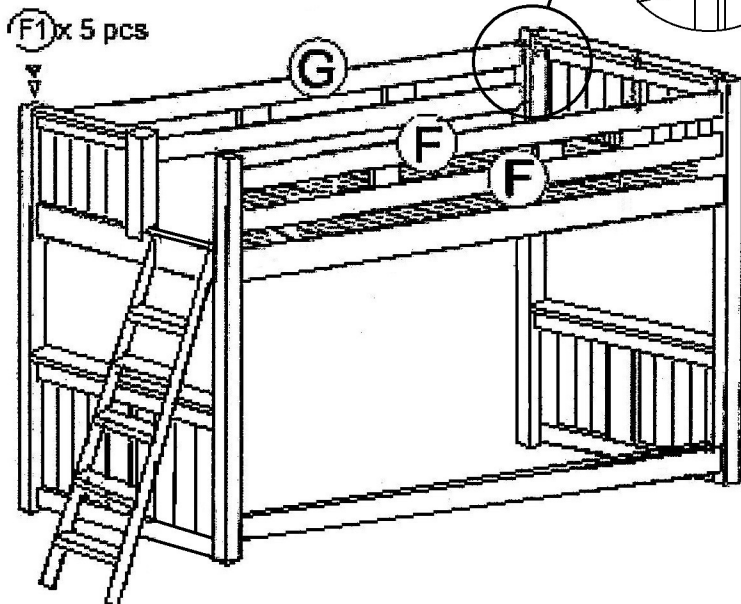


**STEP 3**

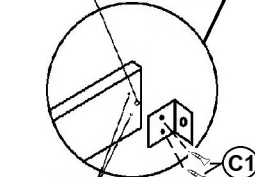
**STEP 2**



**STEP 4**



This hole not use for screw



# To Attach White Board

