

# ASSEMBLY INSTRUCTIONS

ITEM 0936 + 1002 + Bookcase

### CONGRATULATIONS

You've purchased a fine product. All of our easy-to-assemble products are designed and carefully tested to meet the highest quality standards - Yours. We're included simple step-by-step instructions to help you quickly assemble your unit. Before you begin we recommend that you follow the steps below:

1. Please read the instructions thoroughly
2. Identify all parts and hardware, and
3. Gather the tool(s) necessary

NOTE: Do not tighten screws until unit is fully assembled. Only then tighten all screws.

### PARTS INFORMATION

To protect your parts during assembly.

### CARE INSTRUCTIONS

To clean surface use only water on a damp cloth. Do not use window cleaners or cleaning abrasives as it will scratch the surface and could damage the protective coating.

### PARTS LIST

REF.	PART NAME	QUANTITY
A	Head Board	1
B	Foot Board	1
C	Side Rails	2
D	Guard Rails	2
E	Back Board Of Step-Dr	1
F	Step Drawer	1
G	Outside Board Of Step-Dr	1
H	3-Dr Chest	1
I	Castor Chest	1
J	Bookcase	1
L	Slat Roll	1

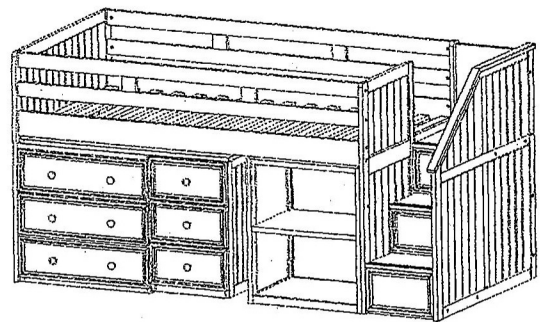
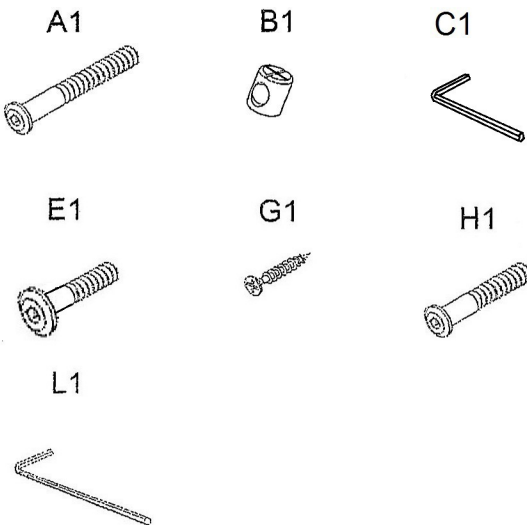
### Hardware: Bunk

A1	Barrel Bolts M6 x 60	16
B1	Barrel Nuts	16
G1	Wood Screws 4 x 25	32
L1	Hex Key	1

### Hardware: Step Drawer

C1	Hex Key M5	1
E1	Barrel Bolts M8 x 45	8
H1	Barrel Bolts M6 x 40	8

### HARDWARE AND TOOLS DIAGRAM



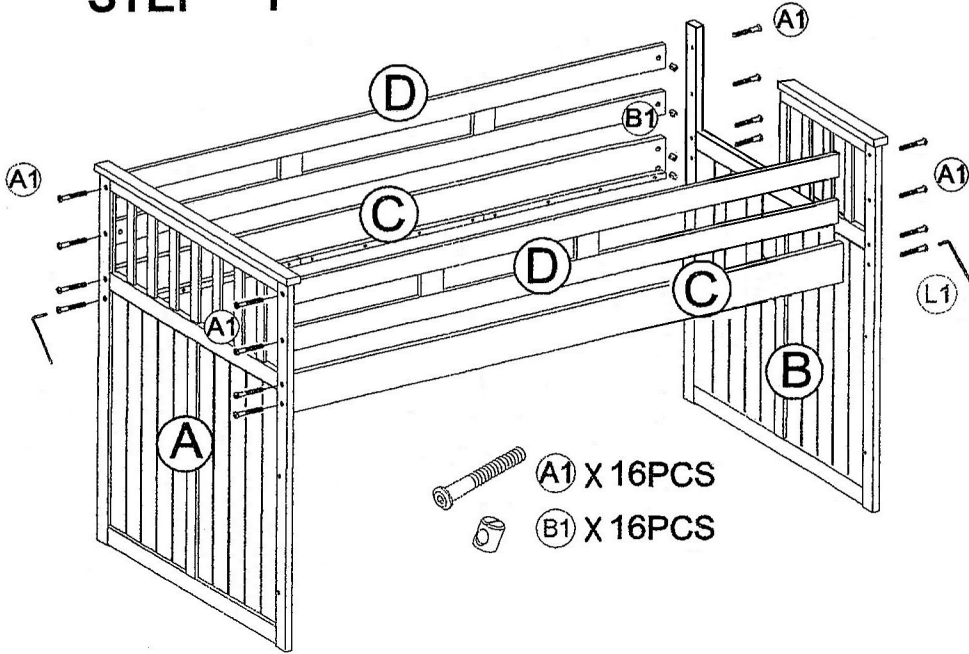
⚠  
Note: You will also need a Phillips Screwdriver (not included)

⚠  
Note: You will need a flathead screwdriver to properly orientate the barrel nuts during assembly.

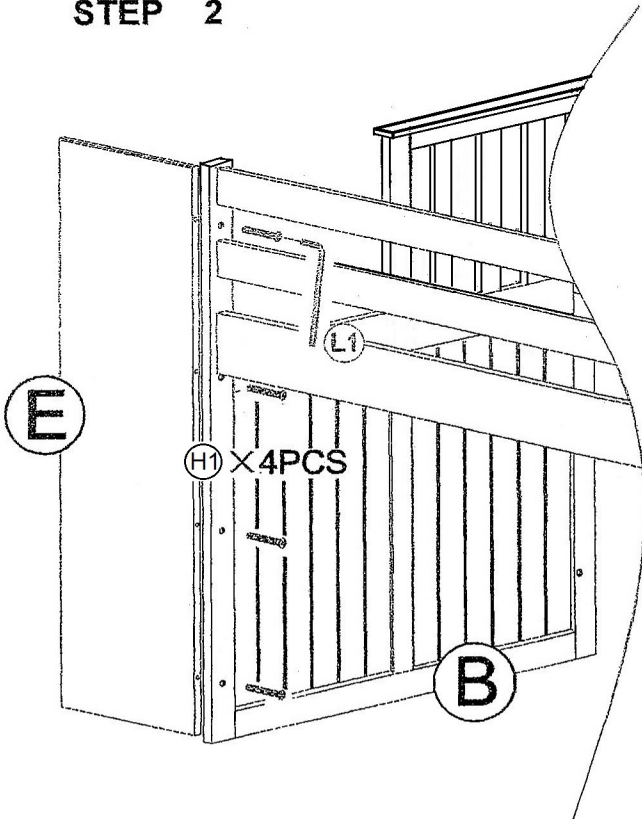
# ASSEMBLY INSTRUCTIONS

ITEM 0936

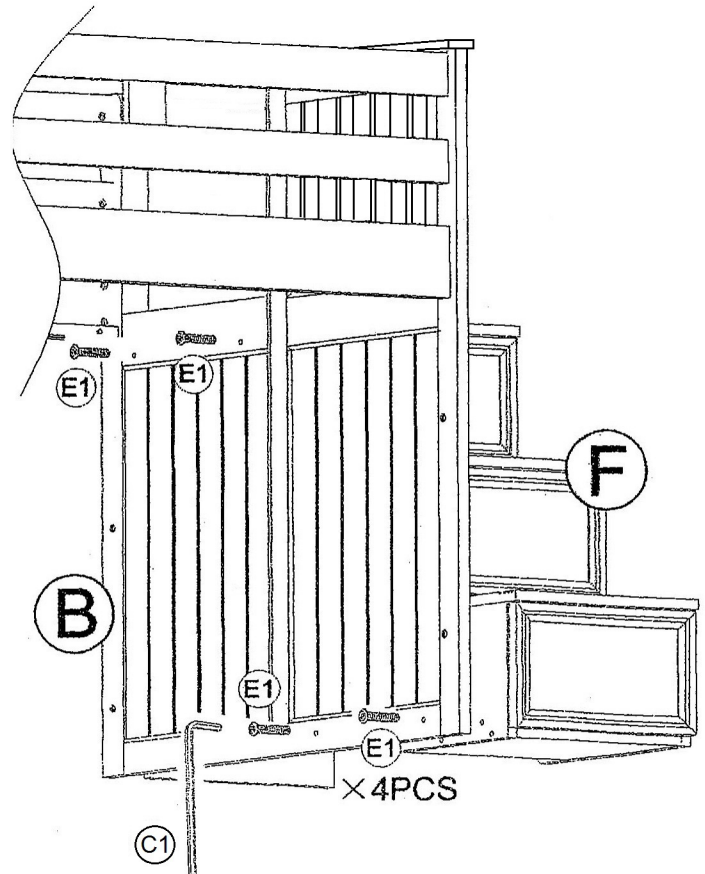
## STEP 1



## STEP 2



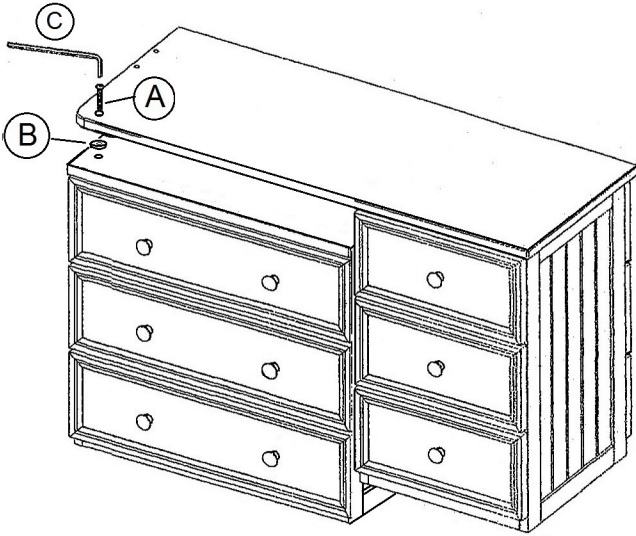
## STEP 3



# ITEM: 1002

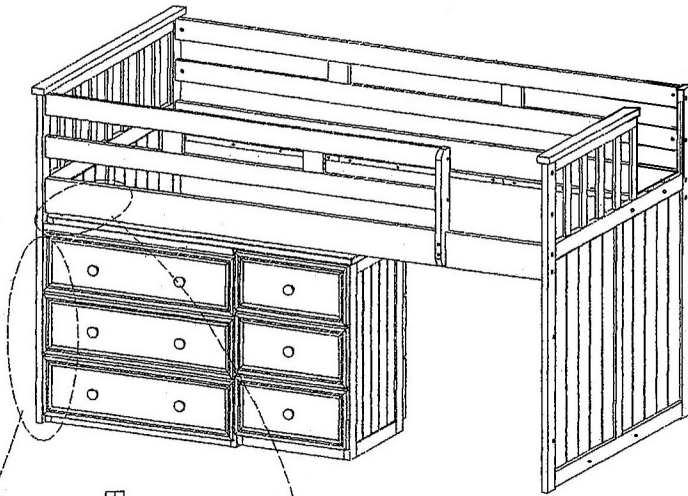
## To fit 3 Drawer Chest with Desk

Step 5

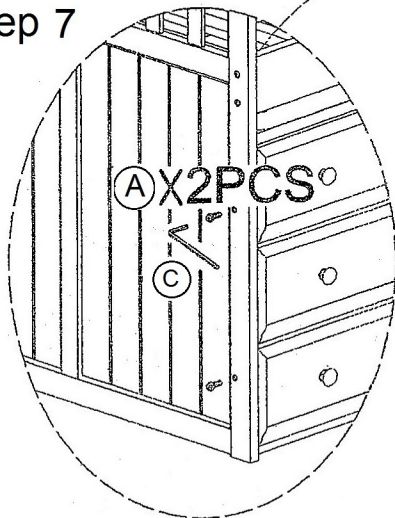


Hardware List :

A	Barrel Screw M6 x 40	3 pcs
B	Plastic Washer	1 pc
D	Dowel	2 pcs
E	Wooden Stopper	1 pc
F	Wood Screw 4 x 32	2 pcs



Step 7

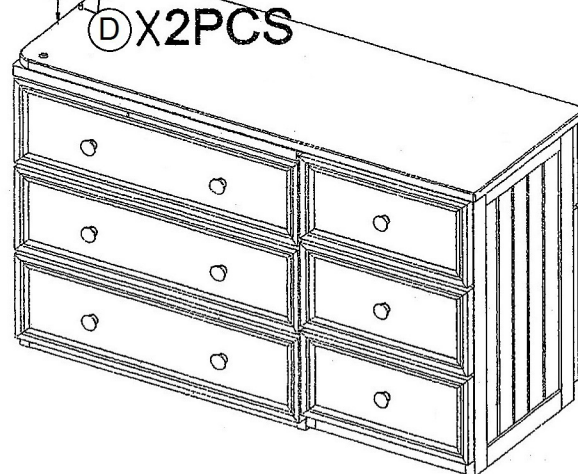


F X 2 PCS

E

D X 2 PCS

Step 6



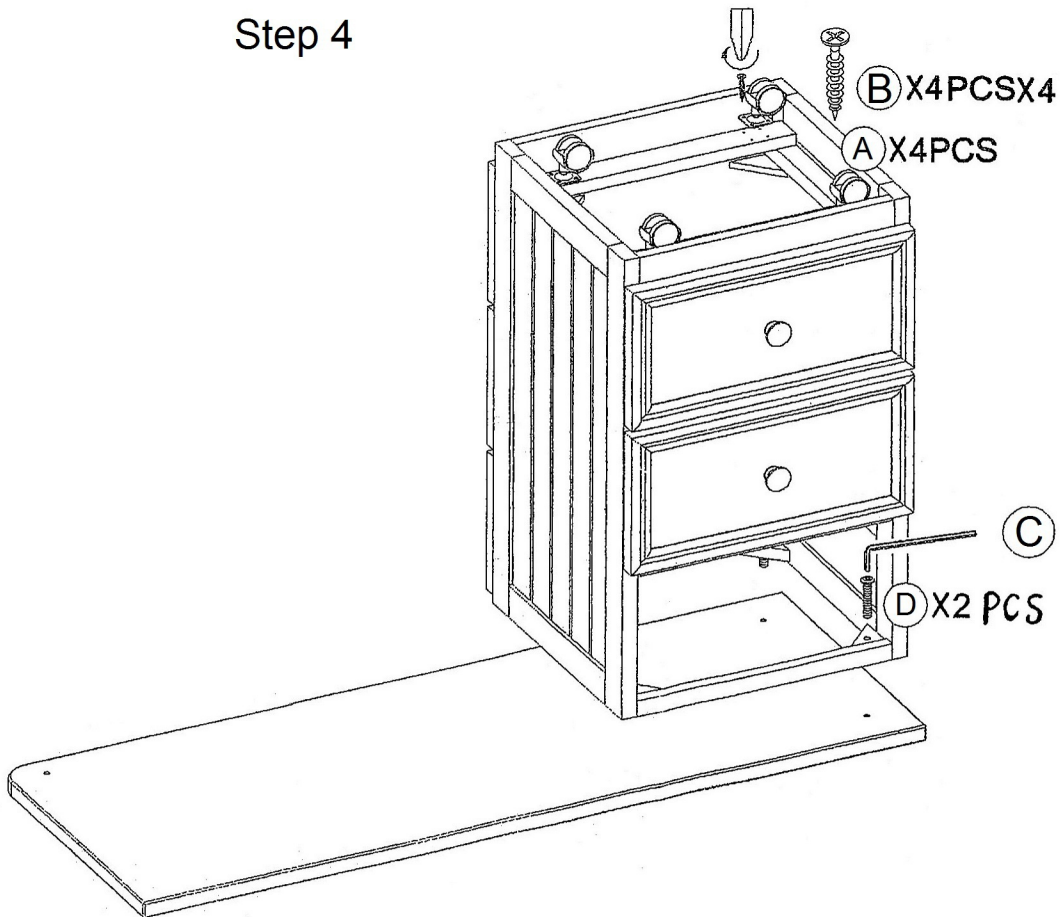
## ITEM : 1002

## To fit Castor Chest

## Hardware List :

A	Castor	4 pcs
B	Wood Screw 4 x 16	16 pcs
C	Hex Key	1 pc
D	Barrel Screw M6 x 40	2 pcs

## Step 4








# ITEM : 1002

## To assembly bookcase

### Hardware List :

Item	Description	Qty
A	JCBC M6 x 40 	8 pcs
B	Shelf Pin 	4 pcs
C	Allen key 	1 pc

