

ASSEMBLY INSTRUCTIONS

ITEM # 0936

CONGRATULATIONS

You've purchased a fine product. All of our easy-to-assemble products are designed and carefully tested to meet the highest quality standards - Yours. We're included simple step-by-step instructions to help you quickly assemble your unit. Before you begin we recommend that you follow the steps below:

1. Please read the instructions thoroughly
2. Identify all parts and hardware, and
3. Gather the tool(s) necessary

NOTE: Do not tighten screws until unit is fully assembled. Only then tighten all screws.

PARTS INFORMATION

To protect your parts during assembly.

CARE INSTRUCTIONS

To clean surface use only water on a damp cloth. Do not use window cleaners or cleaning abrasives as it will scratch the surface and could damage the protective coating.

PARTS LIST

REF.	PART NAME	QUANTITY
A	Head Board	1
B	Foot Board	1
C	Side Rails	2
D	Guard Rails	2
E	Back Board Of Step-Dr	1
F	Step Drawer	1
G	Outside Board Of Step-Dr	1
H	3-Dr Chest	1
I	6-Dr Chest	1
L	Slat Roll	1

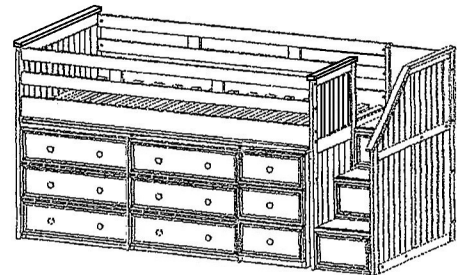
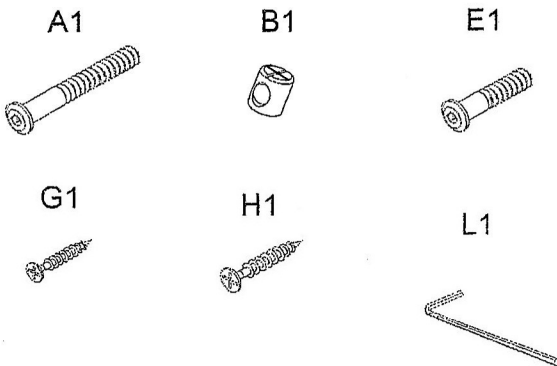
Hardware: Bunk

A1	Barrel Bolts M6 x 70	16
B1	Barrel Nuts	16
G1	Wood Screws 4 x 25	32
L1	Hex Key	1

Hardware: Step Drawer

A1	Barrel Bolts M6 x 70	8
B1	Barrel Nuts	8
E1	Barrel Bolts M6 x 40	10

HARDWARE AND TOOLS DIAGRAM



Note: You will also need a Phillips Screwdriver (not included)

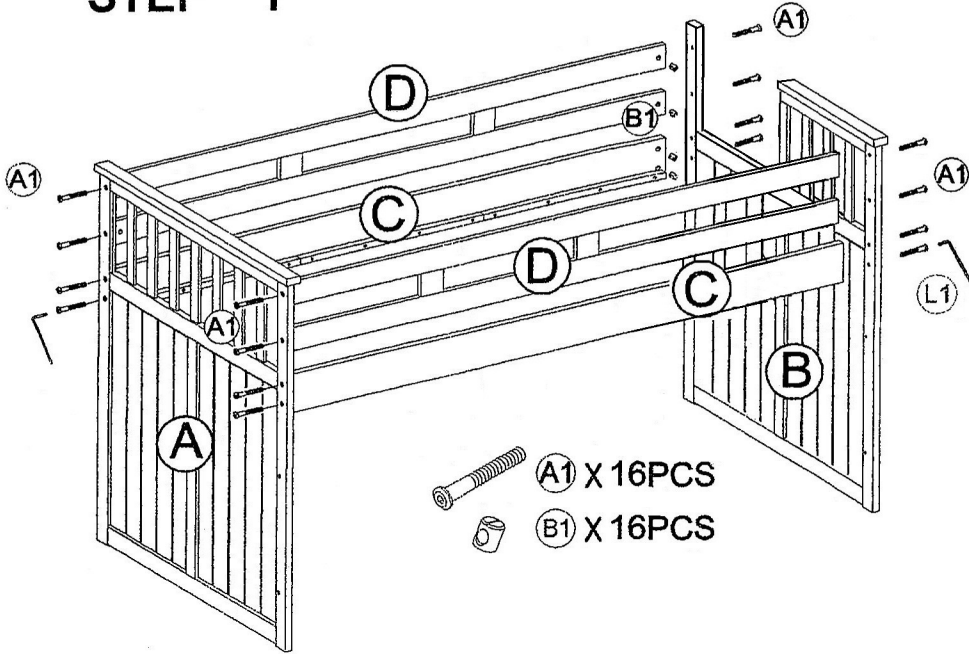


Note: You will need a flathead screwdriver to properly orientate the barrel nuts during assembly.

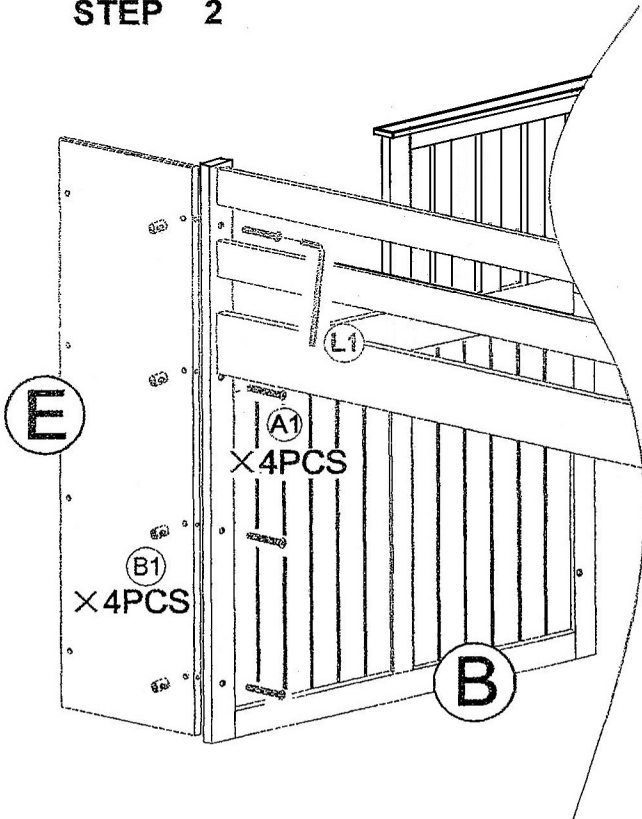
ASSEMBLY INSTRUCTIONS

ITEM # 0936

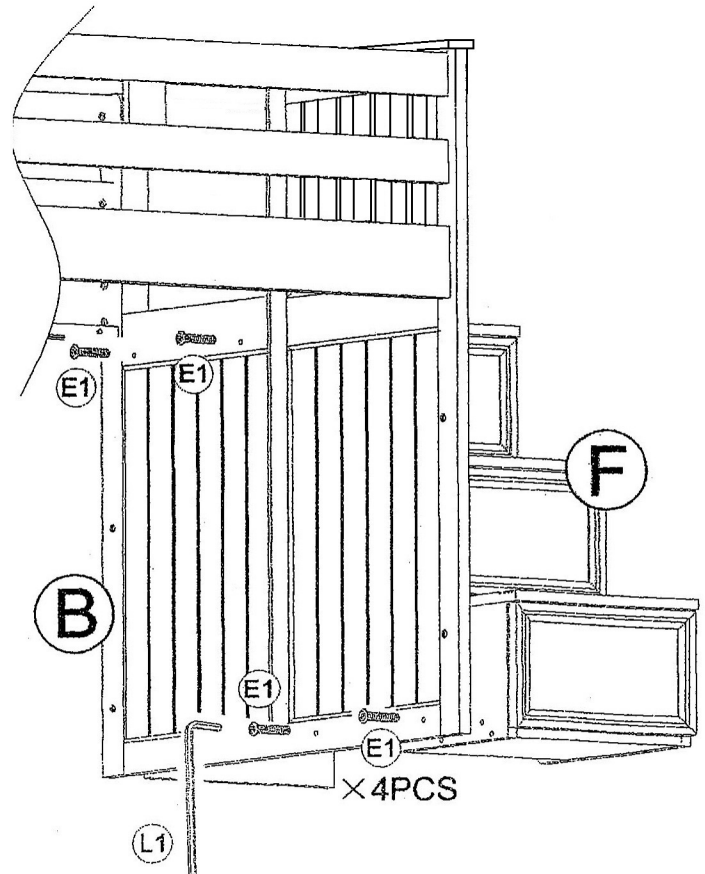
STEP 1



STEP 2



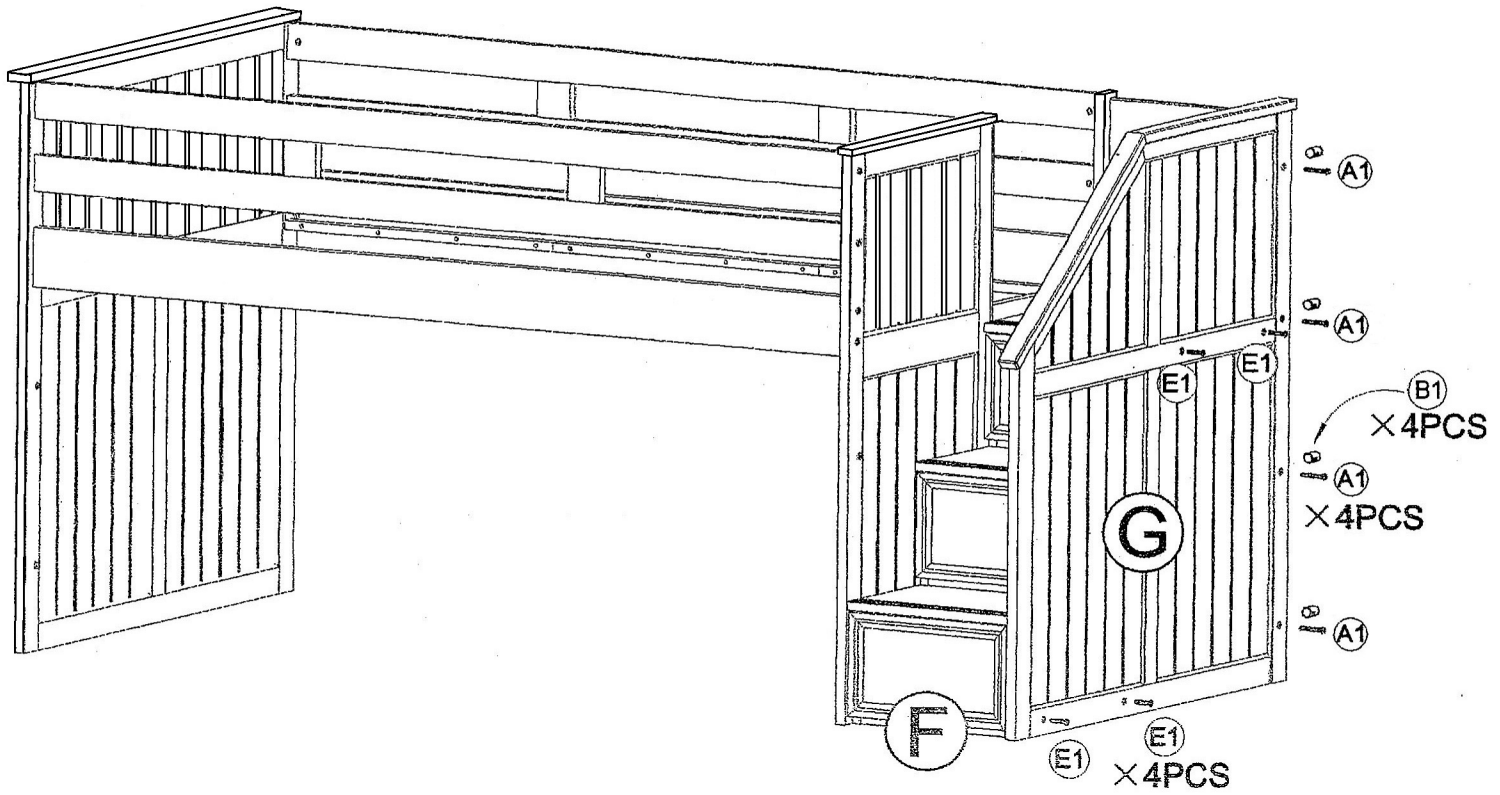
STEP 3



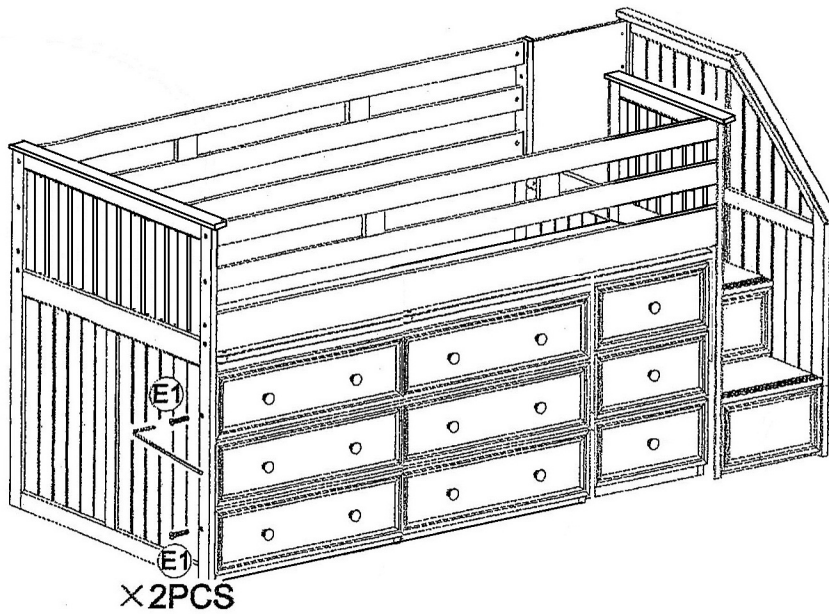
ASSEMBLY INSTRUCTIONS

ITEM # 0936

STEP 4



STEP 5



ASSEMBLY INSTRUCTIONS

ITEM # 0936

STEP 6

