

## CONGRATULATIONS

You've purchased a fine product. All of our easy-to-assemble products are designed and carefully tested to meet the highest quality standards - Yours. We're included simple step-by-step instructions to help you quickly assemble your unit. Before you begin we recommend that you follow the steps below:

1. Please read the instructions thoroughly
2. Identify all parts and hardware, and
3. Gather the tool(s) necessary

NOTE: Do not tighten screws until unit is fully assembled. Only then tighten all screws.

## PARTS INFORMATION

To protect your parts during assembly.

## CARE INSTRUCTIONS

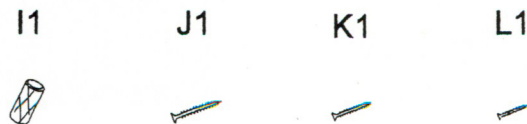
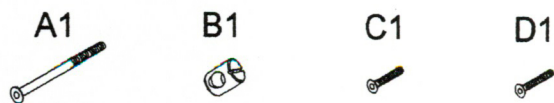
To clean surface use only water on a damp cloth. Do not use window cleaners or cleaning abrasives as it will scratch the surface and could damage the protective coating.

### PARTS LIST

REF.	PART NAME	QUANTITY
A	Low Drawer chest	1
B	Side Board	2
C	Top panel	1
D	Up Cross Board	1
E	Down Cross Piece	1
F	Top Board	1
G	Upper Head Boards	1
H	Tall Head Boards	1
I	Side Rails	2
J	Long Guard Rail	2
K	Back board	1
L	Drawer chest	1
M	Outer side-board	1
N	Upper Slat Roll	1

### HARDWARE AND TOOLS DIAGRAM

A1	Long Barrel Bolts D8 × 85	16
B1	Barrel Nuts	16
C1	Barrel Bolts D6 × 30	8
D1	Barrel Bolts D6 × 35	4
E1	Barrel Bolts D6 × 40	10
F1	Barrel Bolts D6 × 50	6
G1	Barrel Bolts D6 × 60(E)	7
H1	Barrel Nuts (S)	7
I1	Wooden Dowels D12 × 35	2
J1	Wood Screws D4.2 × 40	2
K1	Wood Screws D4.2 × 30	2
L1	Wood Screws D4.2 × 25	32
M1	Allen Wrench	1

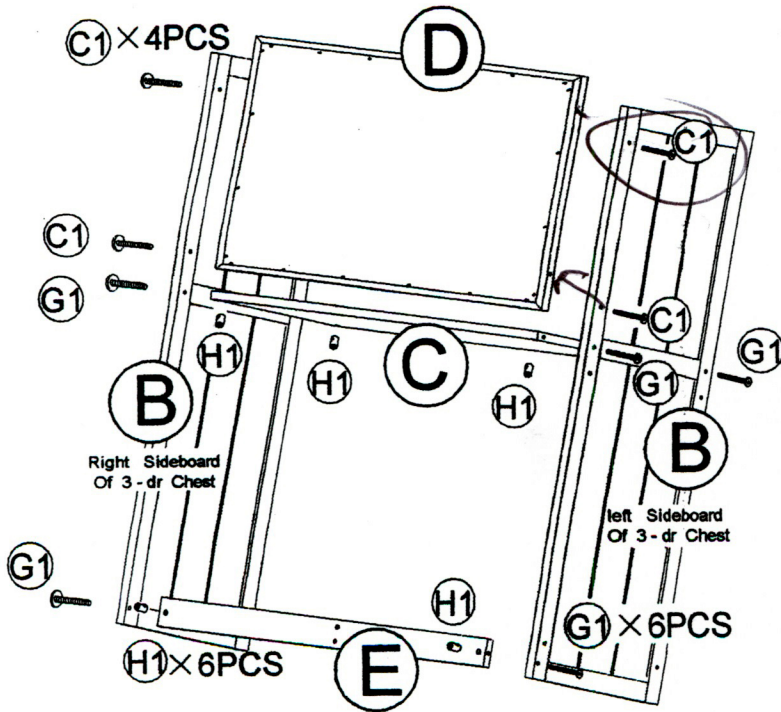


Note: You will also need a Phillips Screwdriver (not included)

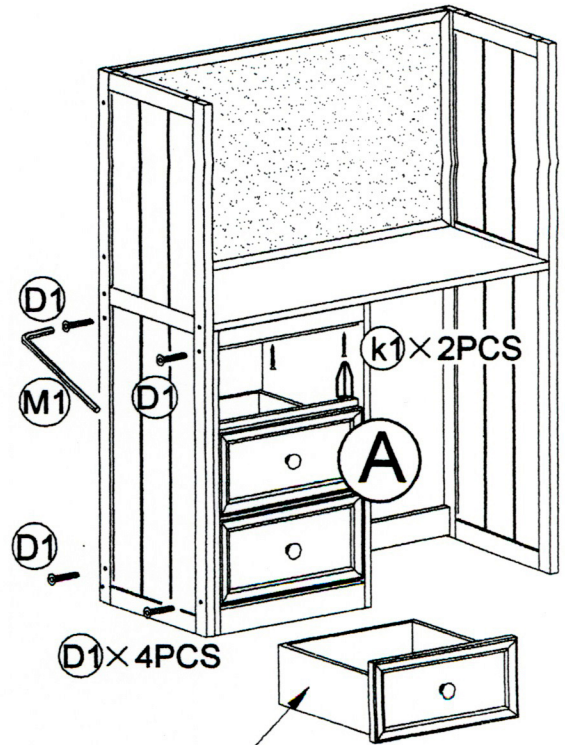


Note: You will need a flathead screwdriver to properly orientate the barrel nuts during assembly.

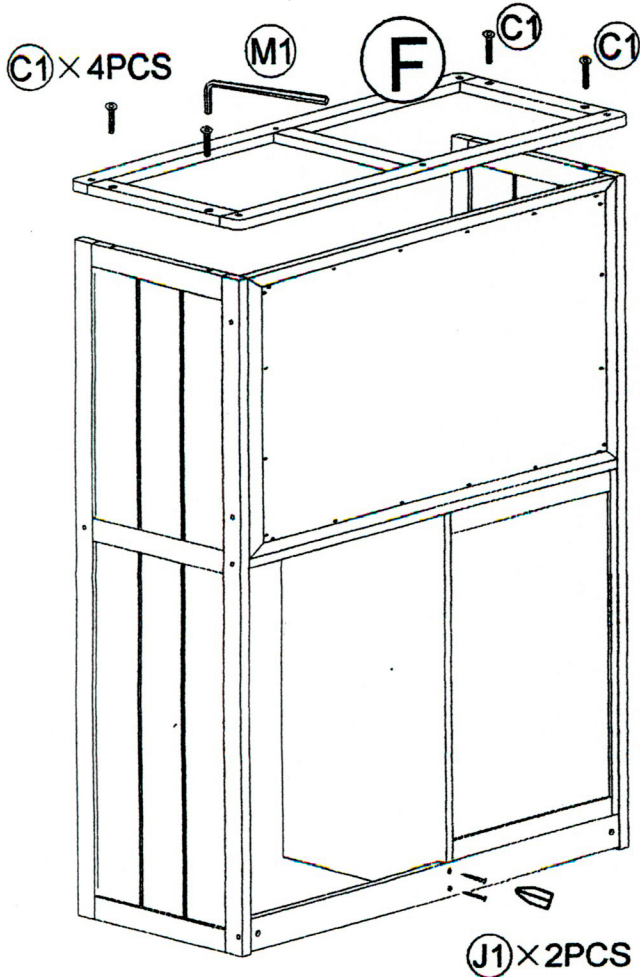
# STEP 1



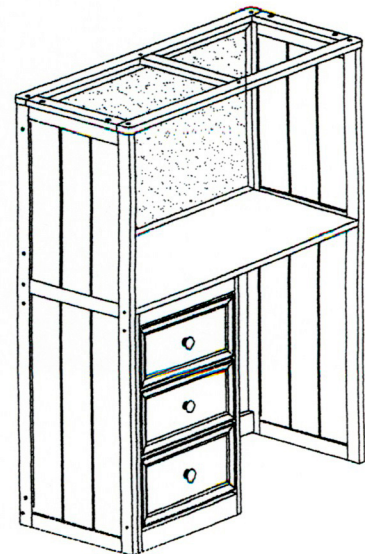
# STEP 2



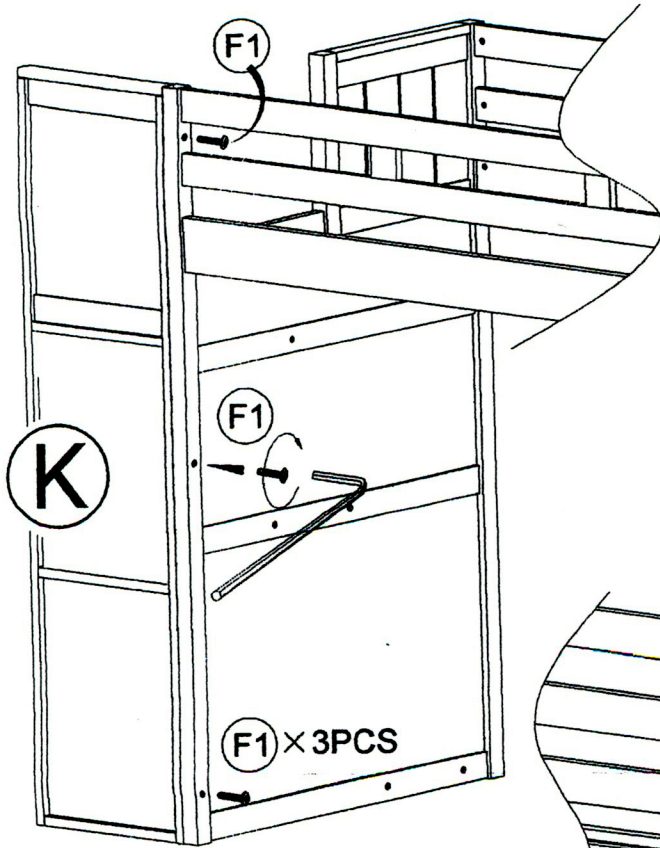
**Pull out the first drawer , connect the middle board and triangle piece of 3 - dr chest with Screw K1 , and then return the drawer.**



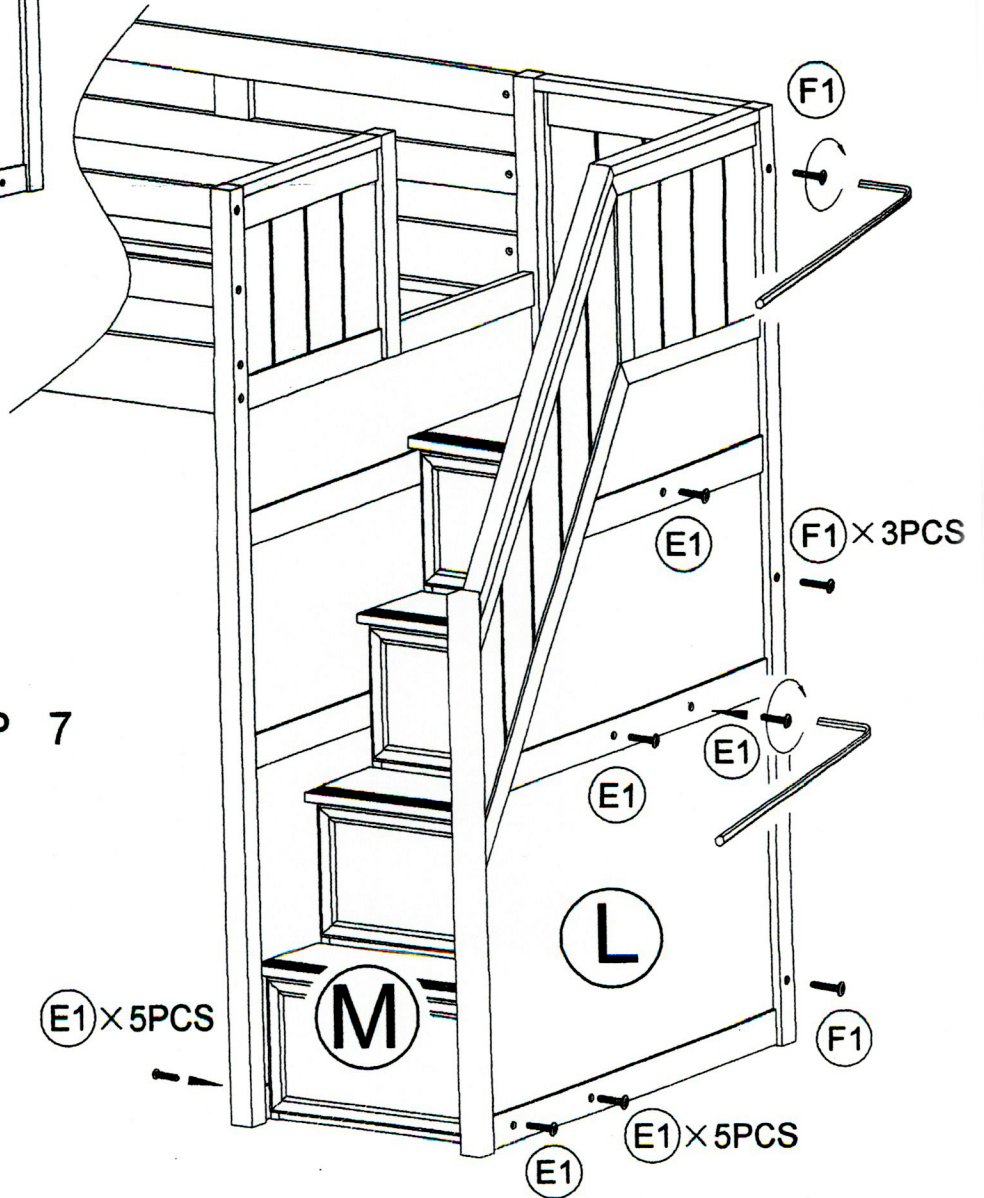
# STEP 3



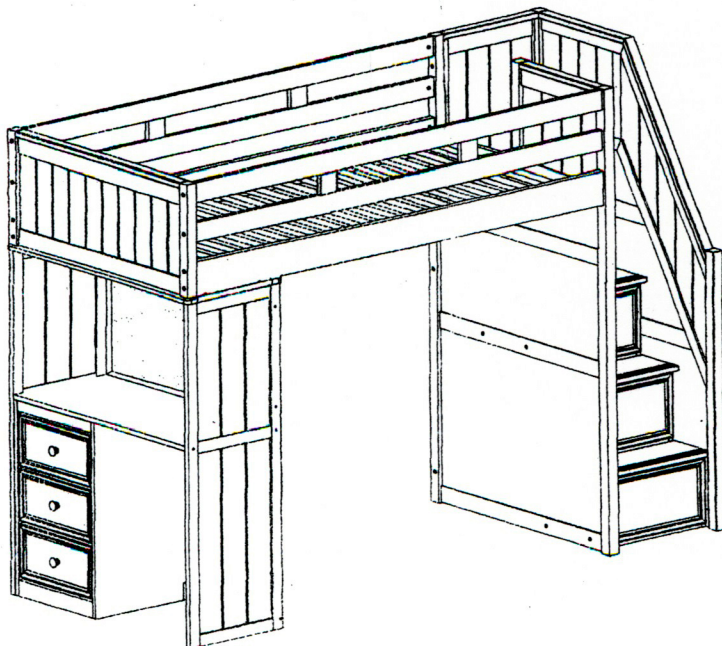
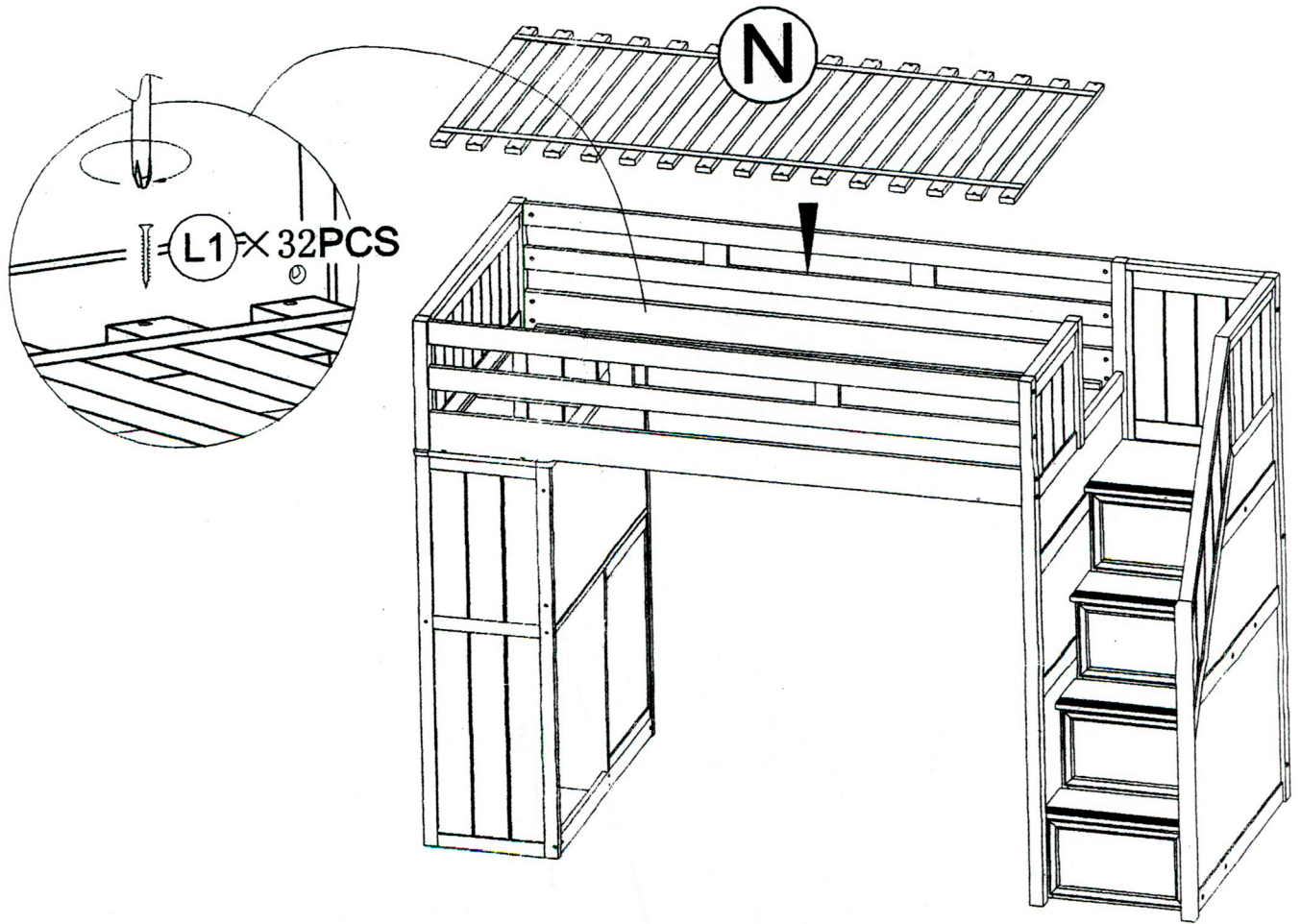
# STEP 6



# STEP 7

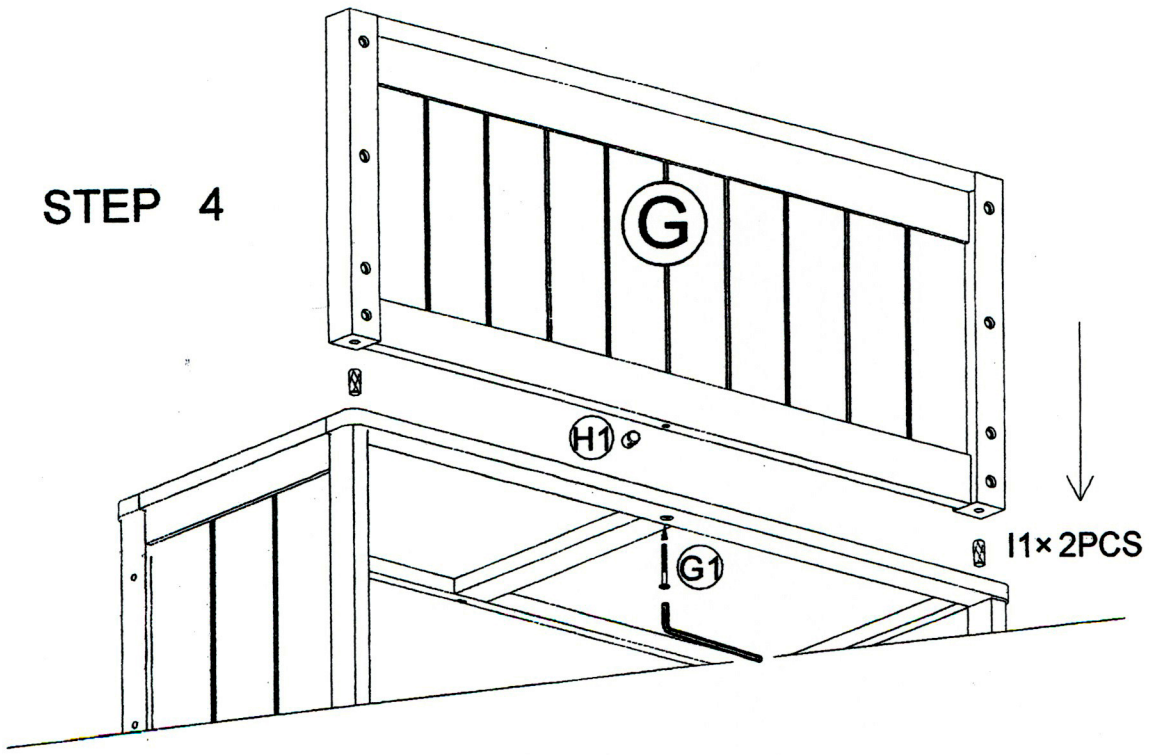


# STEP 8



Fully Assembled Bed

STEP 4



STEP 5

