

Assembly Instruction

BOSTON QUEEN BED

0768

Part List :

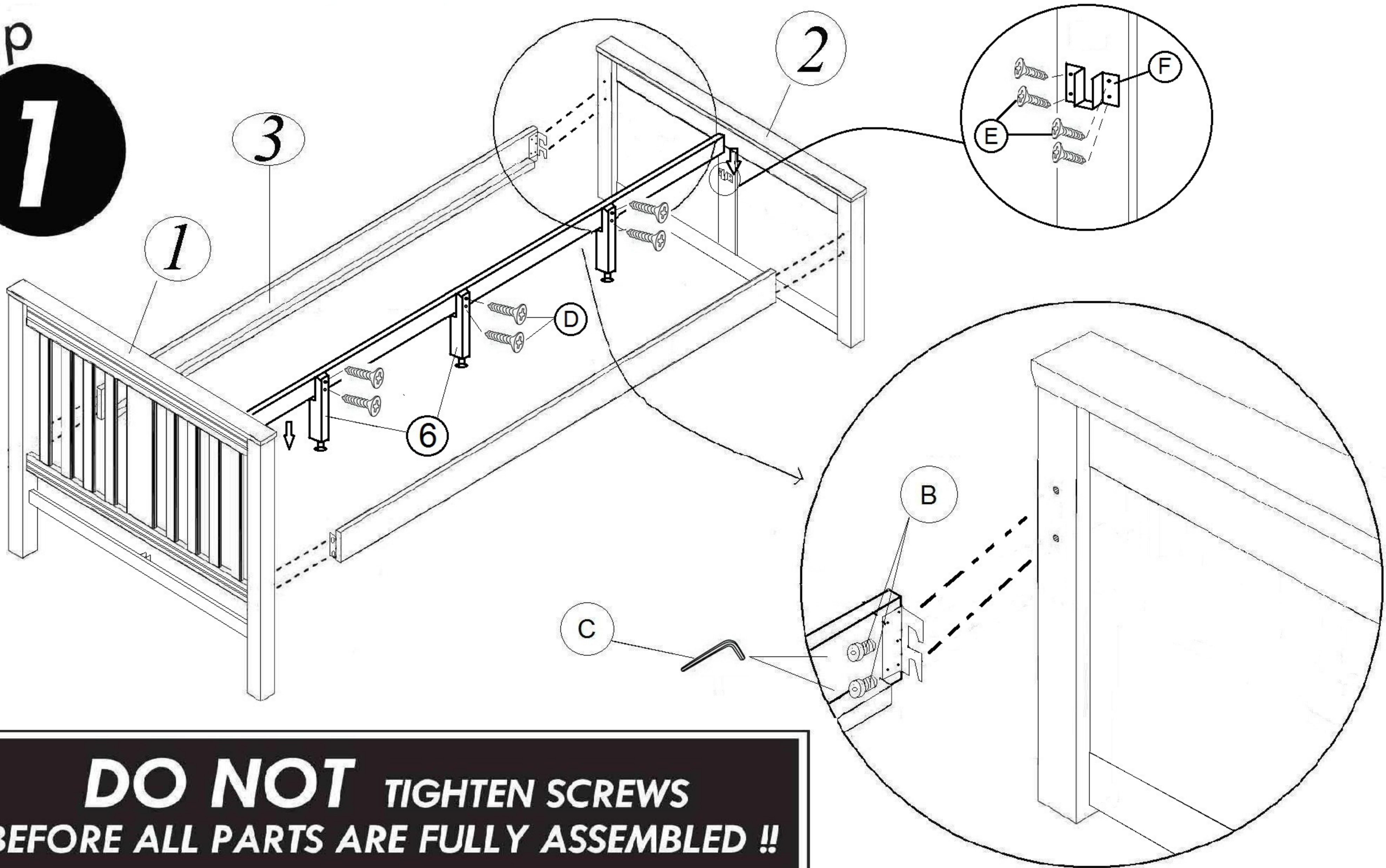
Item	Description	Qty
1	Head Board	1 pc
2	Foot Board	1 pc
3	Side Rail	2 pcs
4	Mattress Support Slat	1 set
5	Center Rail	1 pc
6	Leg Support	3 pcs

Hardware List :

Item	Description	Qty
A	CSK screw M4 x 25	51 pcs
B	Bracket screw	8 pcs
C	Allen key M5	1 pc
D	CSK screw M4 x 32	6 pcs
E	CSK screw M4 x 16	8 pcs
F	U Bracket	2 pcs

Step

1



Step

2

