

Assembly Instruction

BOSTON FULL BED

0668

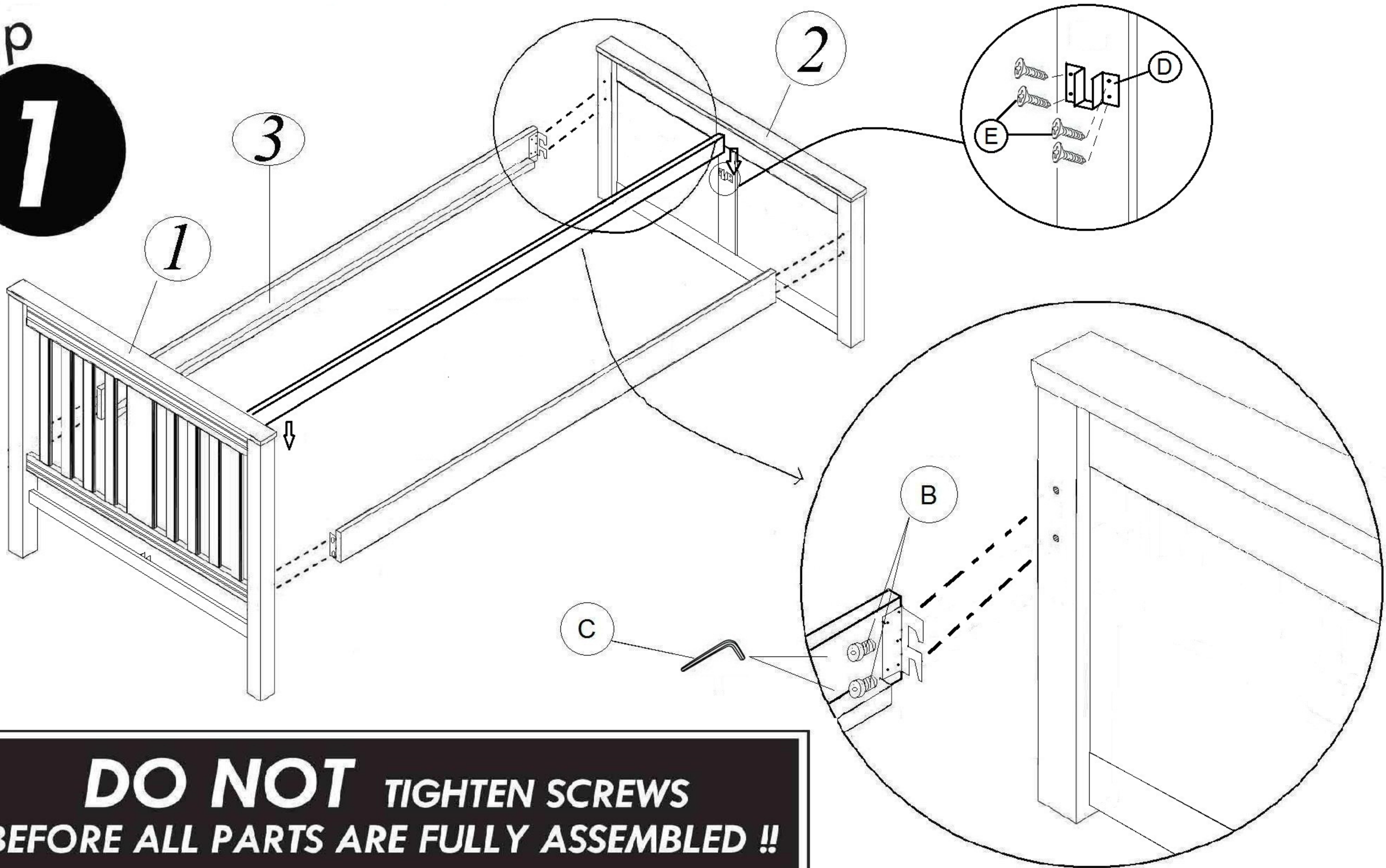
Part List :

Item	Description	Qty
1	Head Board	1 pc
2	Foot Board	1 pc
3	Side Rail	2 pcs
4	Mattress Support Slat	1 set
5	Center Rail	1 pc

Hardware List :

Item	Description	Qty
A	CSK screw M4 x 25	48 pcs
B	Bracket screw	8 pcs
C	Allen key M5	1 pc
D	U Bracket	2 pcs
E	CSK screw M4 x 16	8 pcs

Step
1



Step
2

