



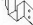


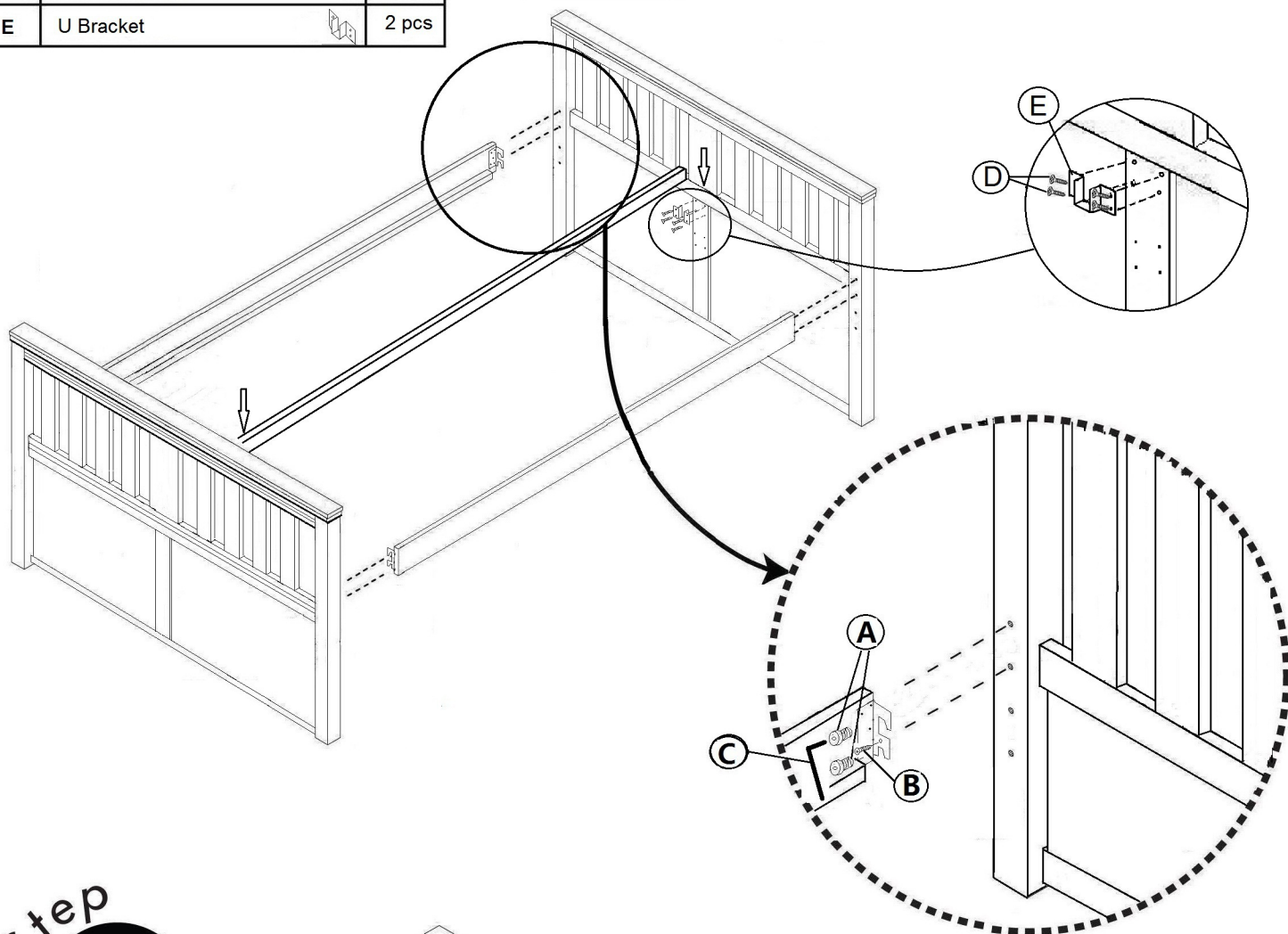
# Assembly Instruction

## 0622 Day Bed

### Hardware List :

| Item | Description   | Qty    |
|------|---|--------|
| A    | JCBB M8 x 25       | 8 pcs  |
| B    | CSK screw M4 x 25  | 52 pcs |
| C    | Allen key M5       | 1 pc   |
| D    | CSK screw M4 x 16  | 8 pcs  |
| E    | U Bracket          | 2 pcs  |

**DO NOT TIGHTEN SCREWS  
BEFORE ALL PARTS ARE FULLY ASSEMBLED !!**



Step  
**2**

