

## Twin Sleigh Bed Beadboard

ITEM # 0608

### CONGRATULATIONS

You've purchased a fine product. All of our easy-to-assemble products are designed and carefully tested to meet the highest quality standards - Yours. We're included simple step-by-step instructions to help you quickly assemble your unit. Before you begin we recommend that you follow the steps below:

1. Please read the instructions thoroughly
2. Identify all parts and hardware, and
3. Gather the tool(s) necessary

**NOTE:** Do not tighten screws until unit is fully assembled. Only then tighten all screws.

### PARTS INFORMATION

To protect your parts during assembly.

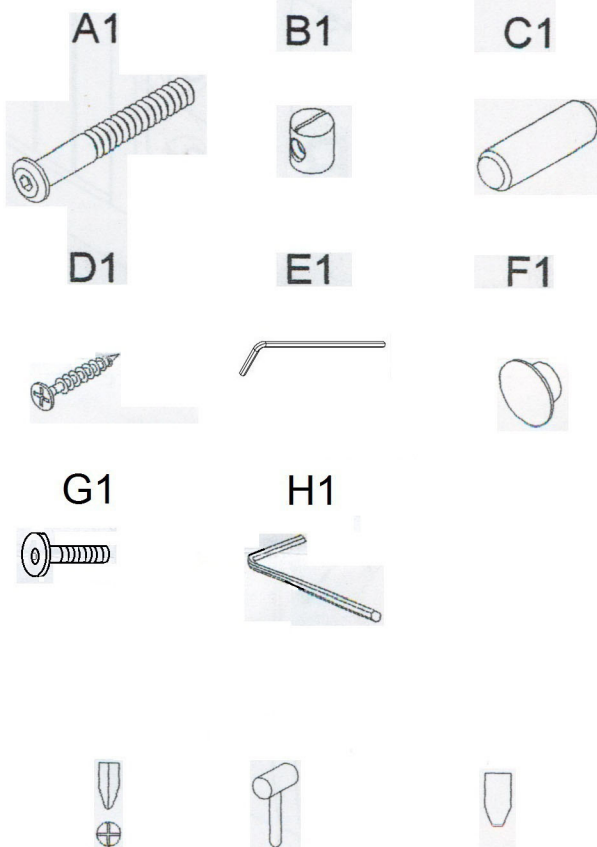
### CARE INSTRUCTIONS

To clean surface use only water on a damp cloth. Do not use window cleaners or cleaning abrasives as it will scratch the surface and could damage the protective coating.

### PARTS LIST

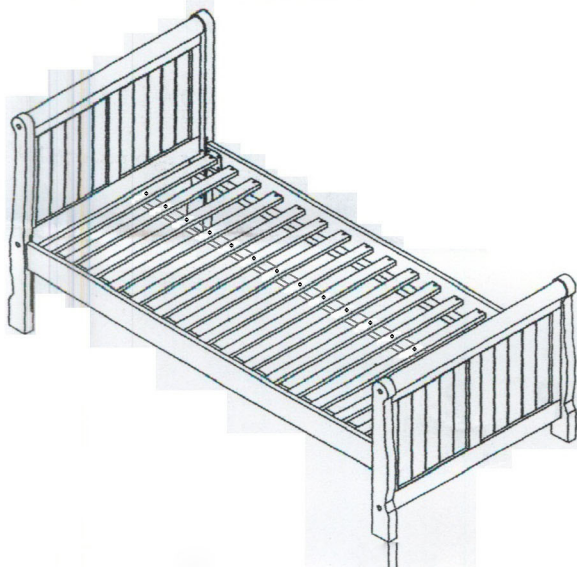
REF.	PART NAME	QUANTITY
A	Top Crosspieces	2
B	Left leg Of Headboard	1
C	Right leg Of Headboard	1
D	Left leg Of Footboard	1
E	Right leg Of Footboard	1
F	Bed Boards	2
G	Side Rails	2
H	Slat Roll	1
I	Center Rail	1
A1	Barrel Bolts M6 x 80	8
B1	Barrel Nuts	4
C1	Wooden Dowels	8
D1	Wood Screws M4x25	48
E1	Hex Key M4	1
F1	Wood Caps	8
G1	JCBB Screw	8
H1	Hex Key M5	1

### HARDWARE AND TOOLS DIAGRAM

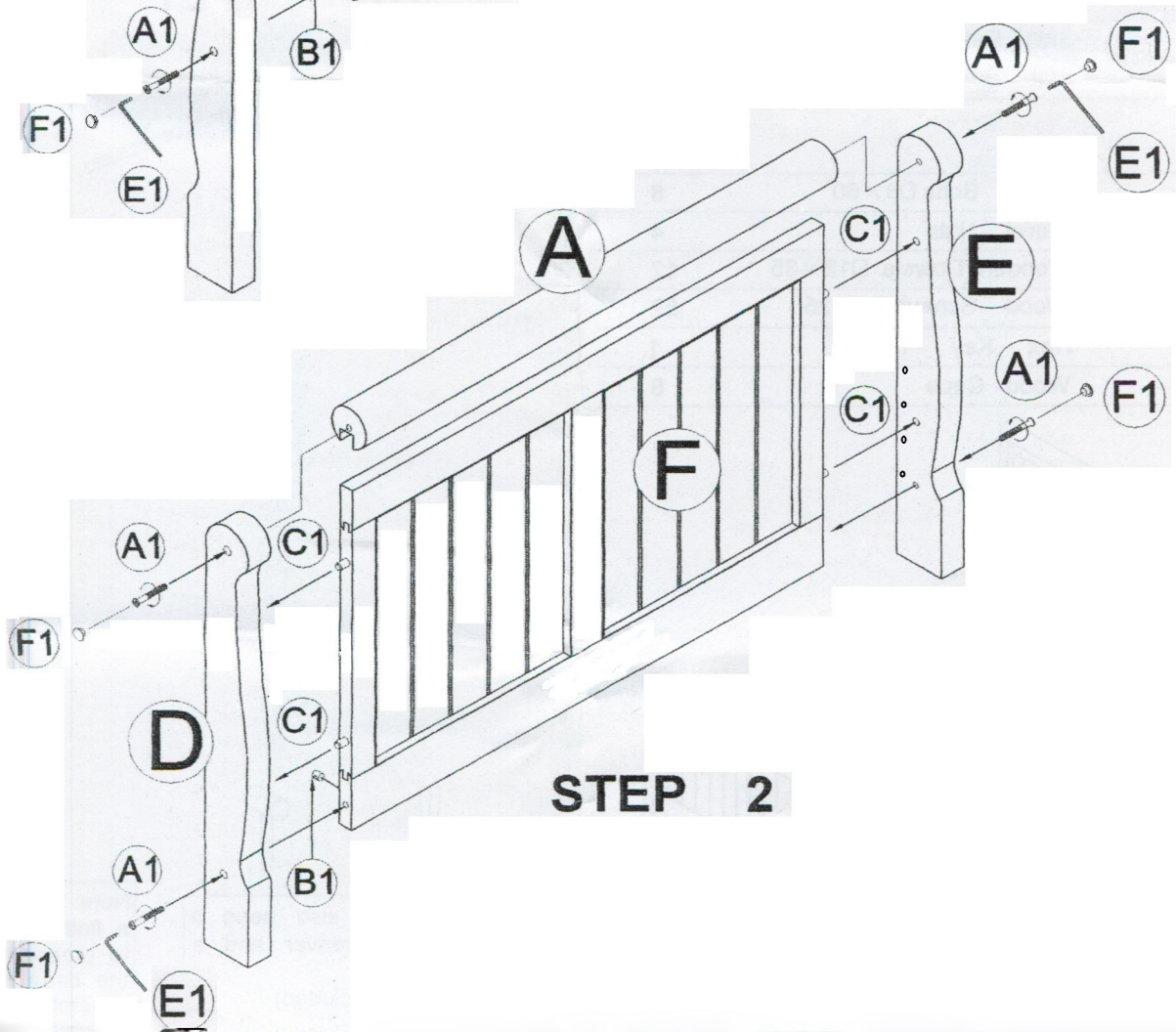
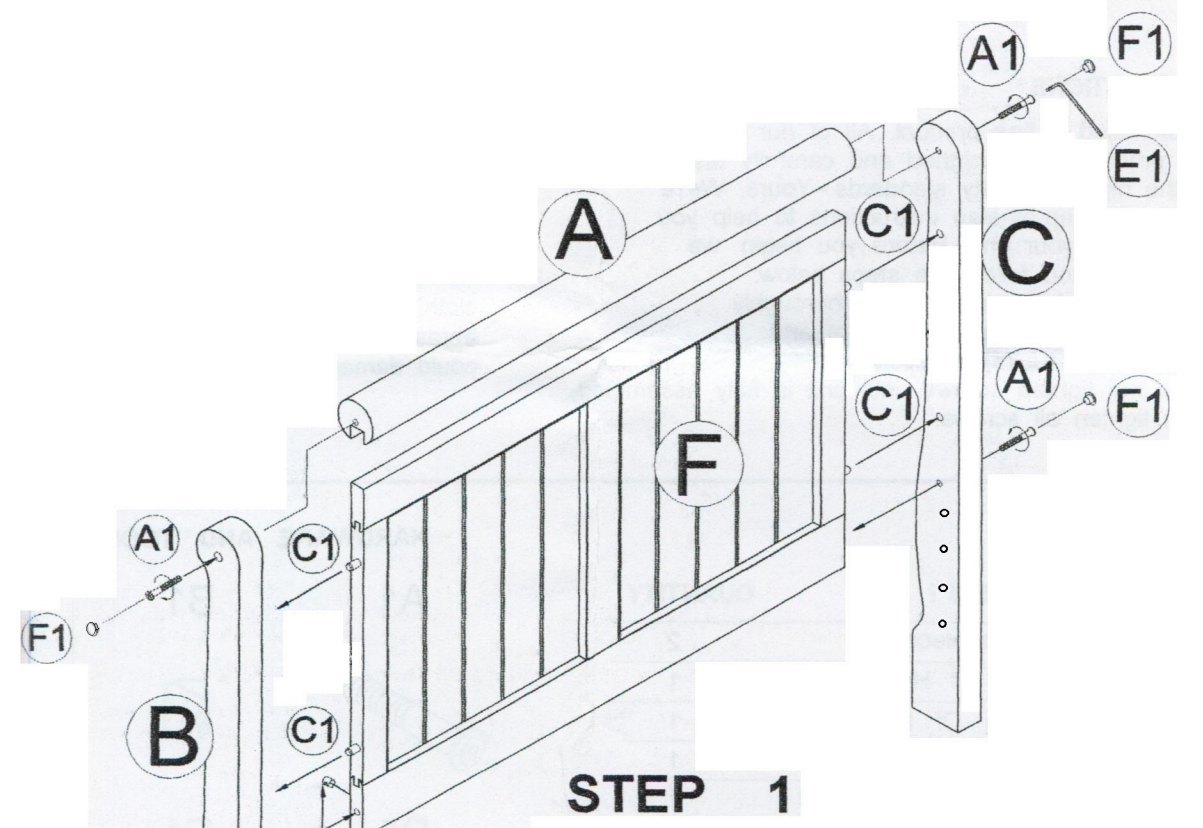


Note: You will also need a Phillips Screwdriver and a hammer. (not included)

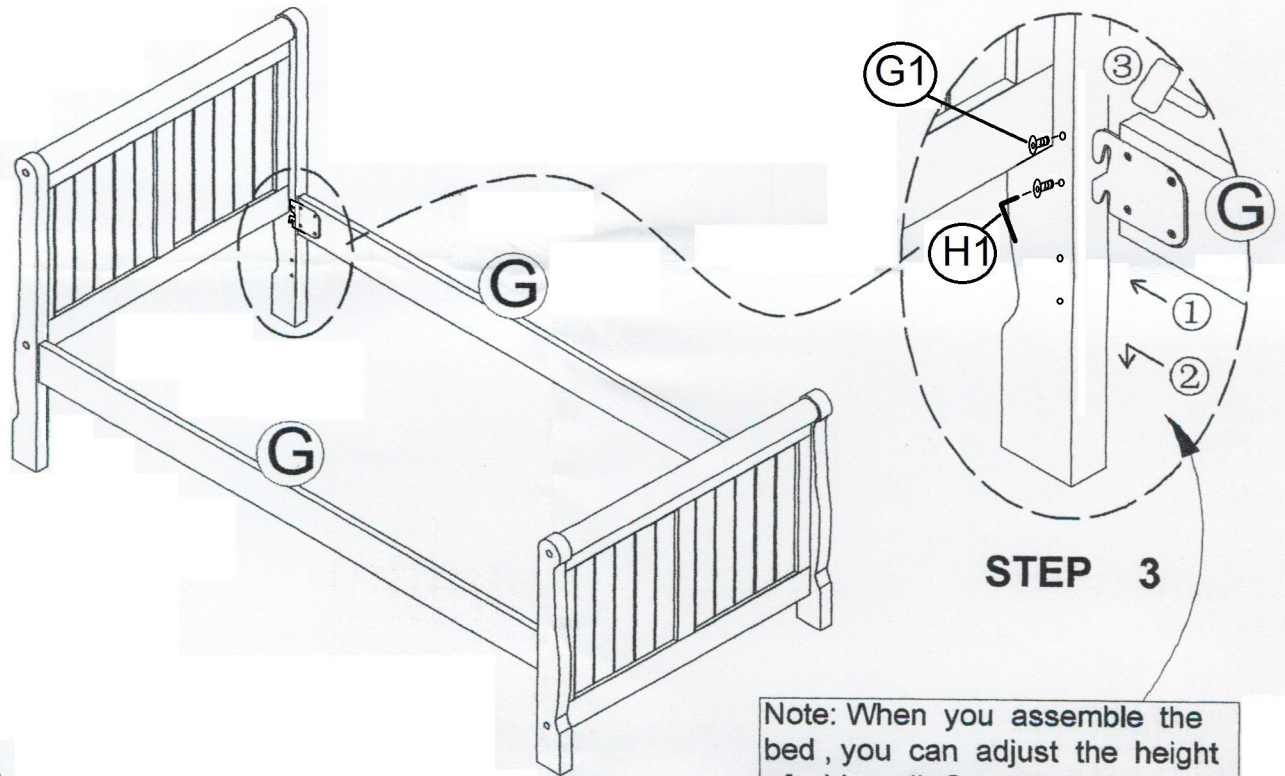
Note: You will need a flathead screwdriver to properly orientate the barrel nuts during assembly



**NOTE:** Do not use wood plugs if you have a child under the age of 6 in the house.







Note: When you assemble the bed, you can adjust the height of side rail G according to your require.

**STEP 4**

