

Assembly Instruction




BOSTON SINGLE BED

0568

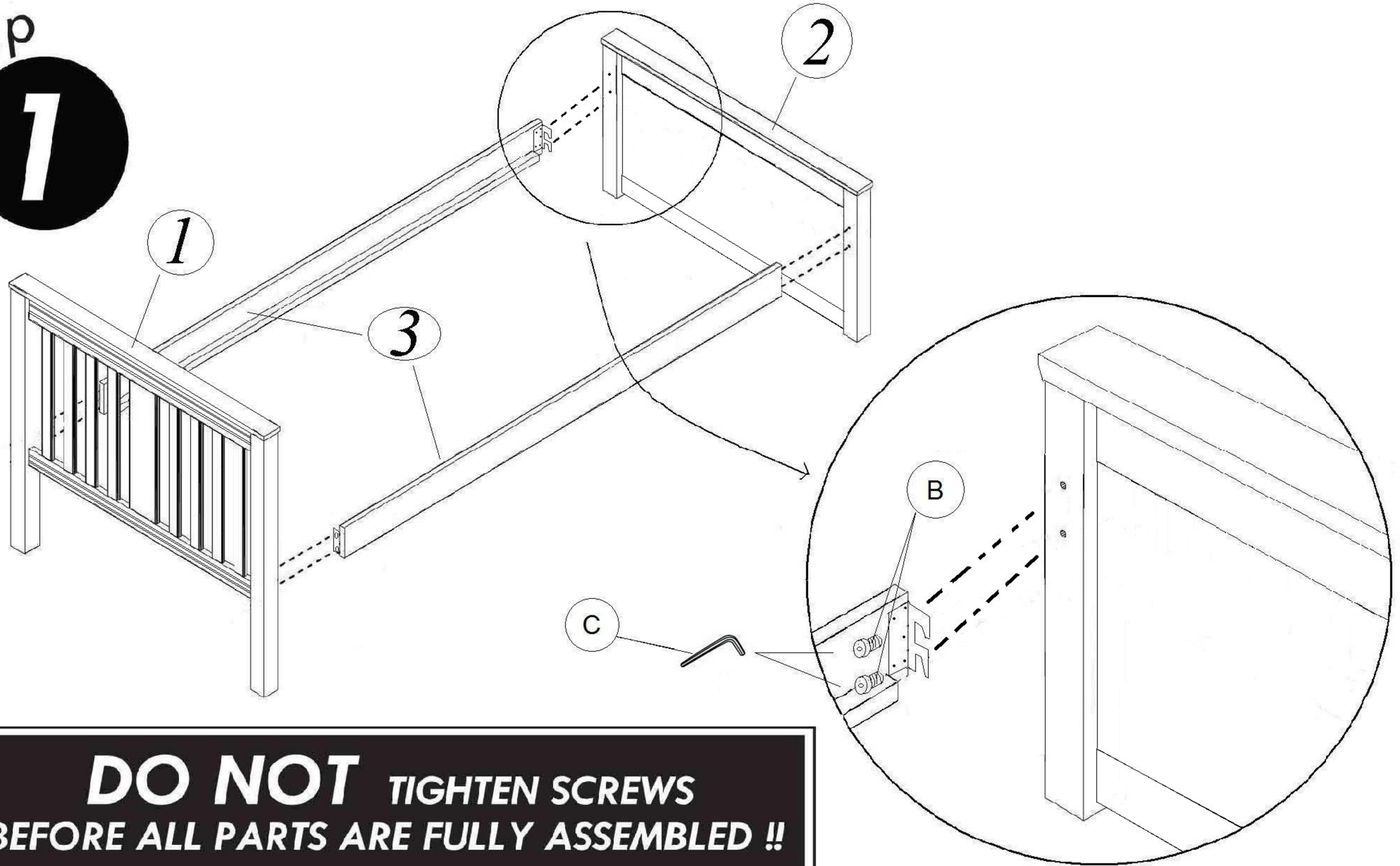
Part List :

Item	Description	Qty
1	Head Board	1 pc
2	Foot Board	1 pc
3	Side Rail	2pcs
4	Mattress Support Slat	1 set

Hardware List :

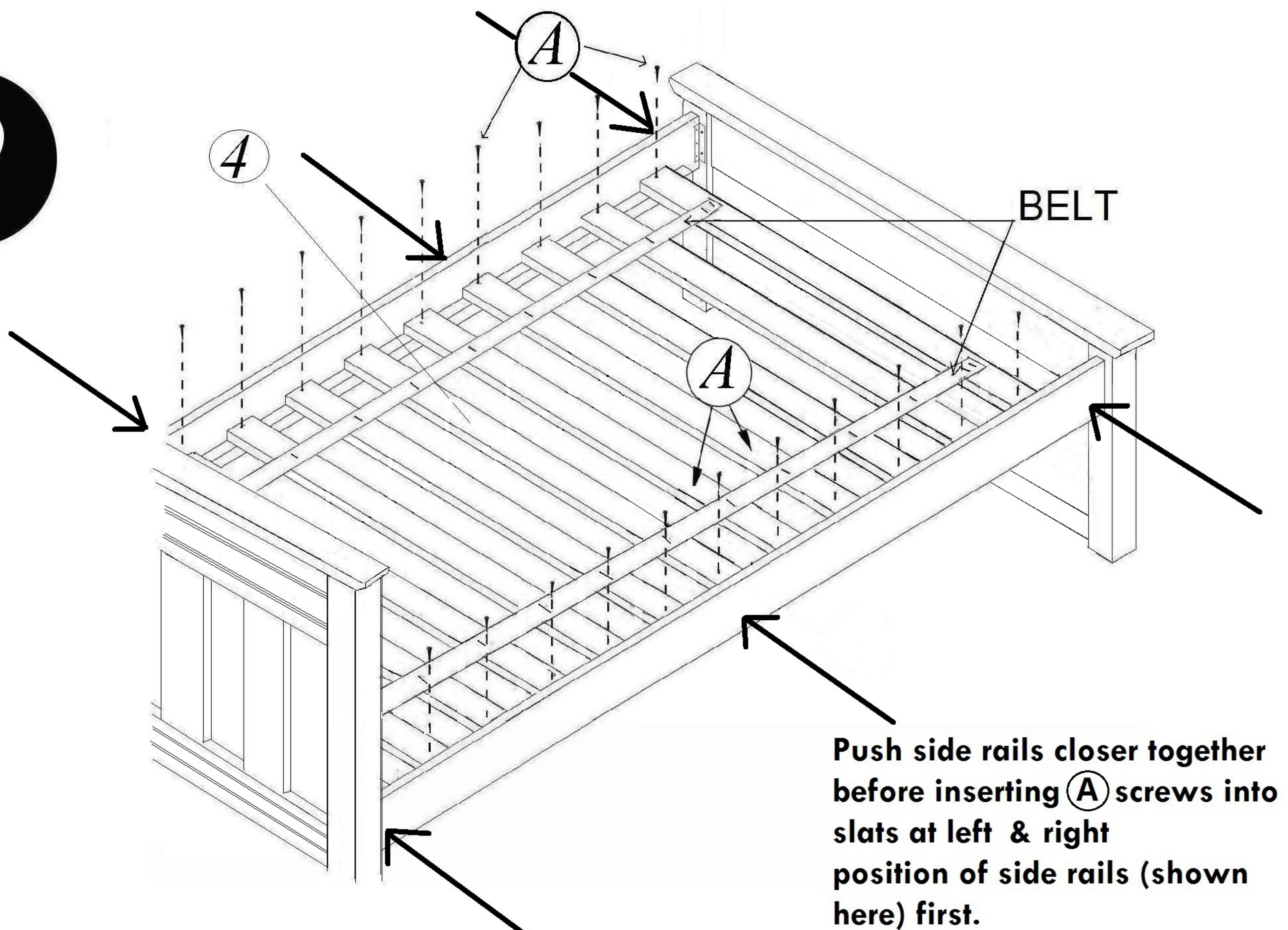
Item	Description	Qty
A	CSK screw M4 x 25 	32pcs
B	Bracket screw 	8 pcs
C	Allen key M5 	1 pc

Step
1



DO NOT TIGHTEN SCREWS BEFORE ALL PARTS ARE FULLY ASSEMBLED !!

Step
2



Push side rails closer together before inserting (A) screws into slats at left & right position of side rails (shown here) first.