

ASSEMBLY INSTRUCTION**3"Post Twin Bed Beadboard****ITEM # 0501**

Adult assembly required. For ages six and up.

CONGRATULATIONS

You've purchased a fine product. All of our easy-to-assemble products are designed and carefully tested to meet the highest quality standards - Yours. We're included simple step-by-step instructions to help you quickly assemble your unit. Before you begin we recommend that you follow the steps below:

1. Please read the instructions thoroughly
2. Identify all parts and hardware, and
3. Gather the tool(s) necessary

NOTE: Do not tighten screws until unit is fully assembled. Only then tighten all screws.

PARTS INFORMATION

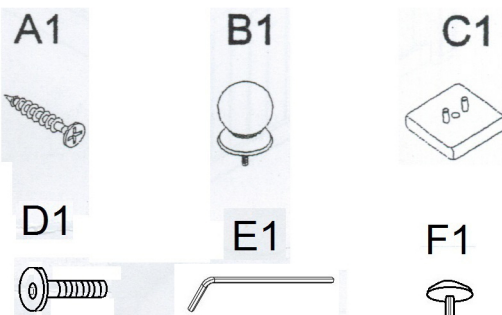
To protect your parts during assembly.

CARE INSTRUCTIONS

To clean surface use only water on a damp cloth. Do not use window cleaners or cleaning abrasives as it will scratch the surface and could damage the protective coating.

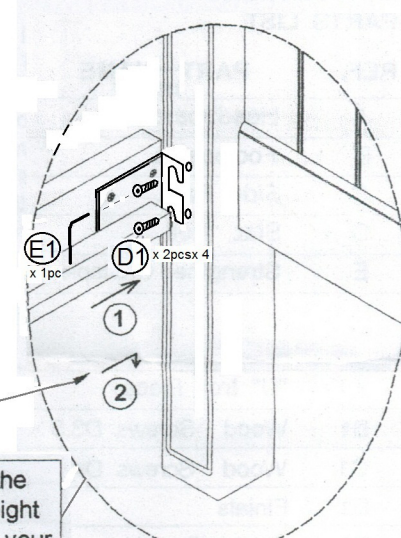
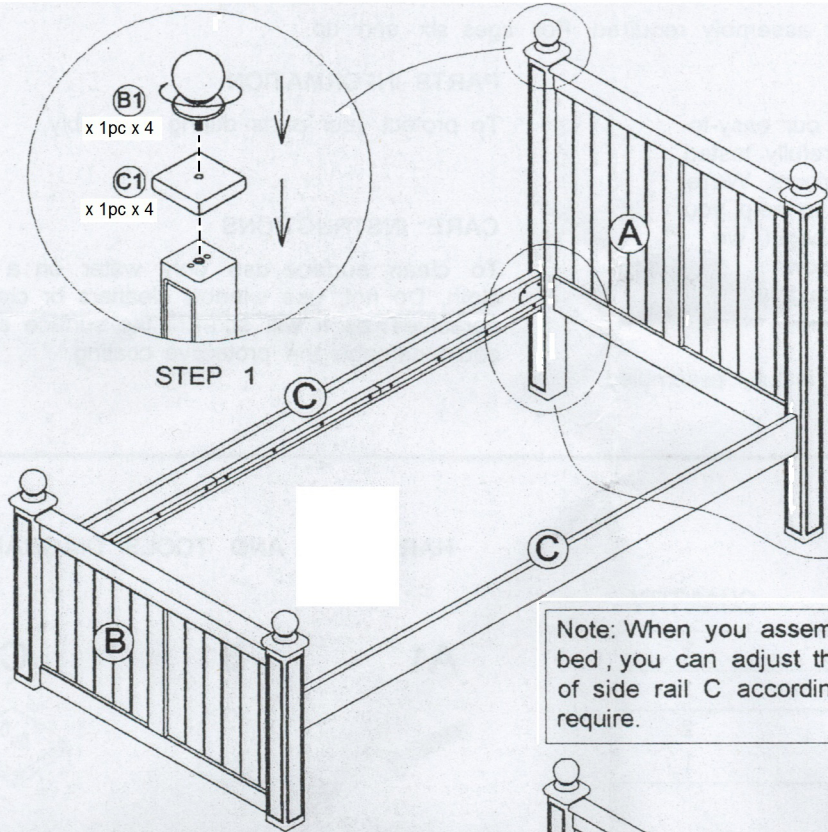
PARTS LIST

REF.	PART NAME	QUANTITY
A	Headboards	1
B	Footboards	1
C	Side Rails	2
D	Slat Roll	1
A1	Wood Screws D4 x 25	32
B1	Finials	4
C1	Square Boards	4
D1	Screw M8 x 25	8
E1	Allen Key	1
F1	Wood Cap	4

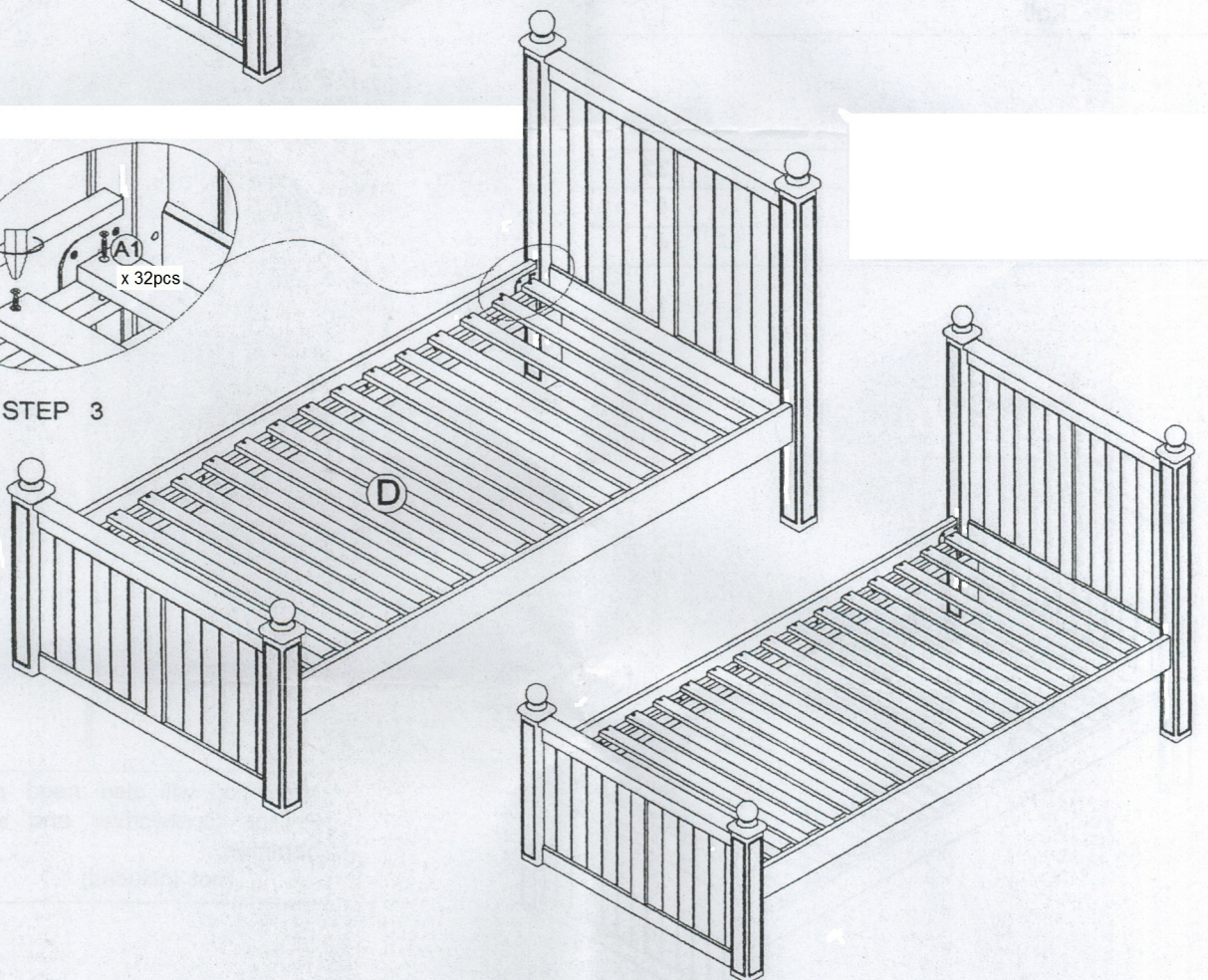
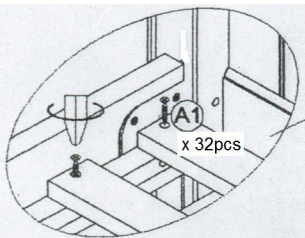
HARDWARE AND TOOLS DIAGRAM

Note: You will also need a Phillips Screwdriver.

(not included)



Note: When you assemble the bed, you can adjust the height of side rail C according to your require.



Fully Assembled Bed