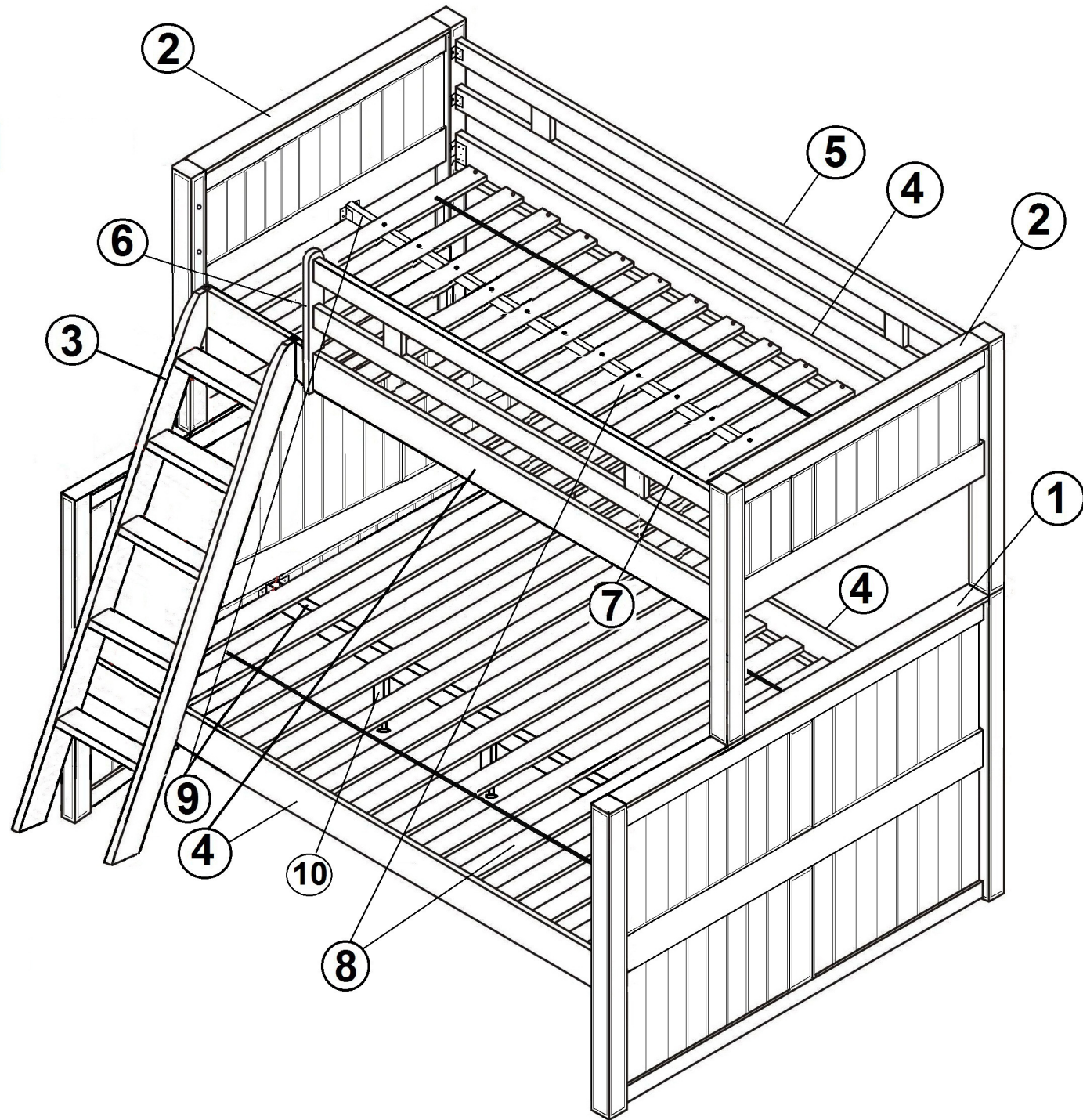


0271 FULL / QUEEN BUNK

Part List :
















| Item | Description | Qty |
|------|--------------------|--------|
| 1 | Bottom Headboard | 2 pcs |
| 2 | Upper Headboard | 2 pcs |
| 3 | Ladder | 1 pc |
| 4 | Side Panel | 4 pcs |
| 5 | Long Guard Rail | 1 pc |
| 6 | Guard Rail Support | 1 pc |
| 7 | Short Guard Rail | 1 pc |
| 8 | Slat | 2 sets |
| 9 | Center Support | 2 pcs |
| 10 | Leg Support | 3 pcs |



Assembly Instruction

0271

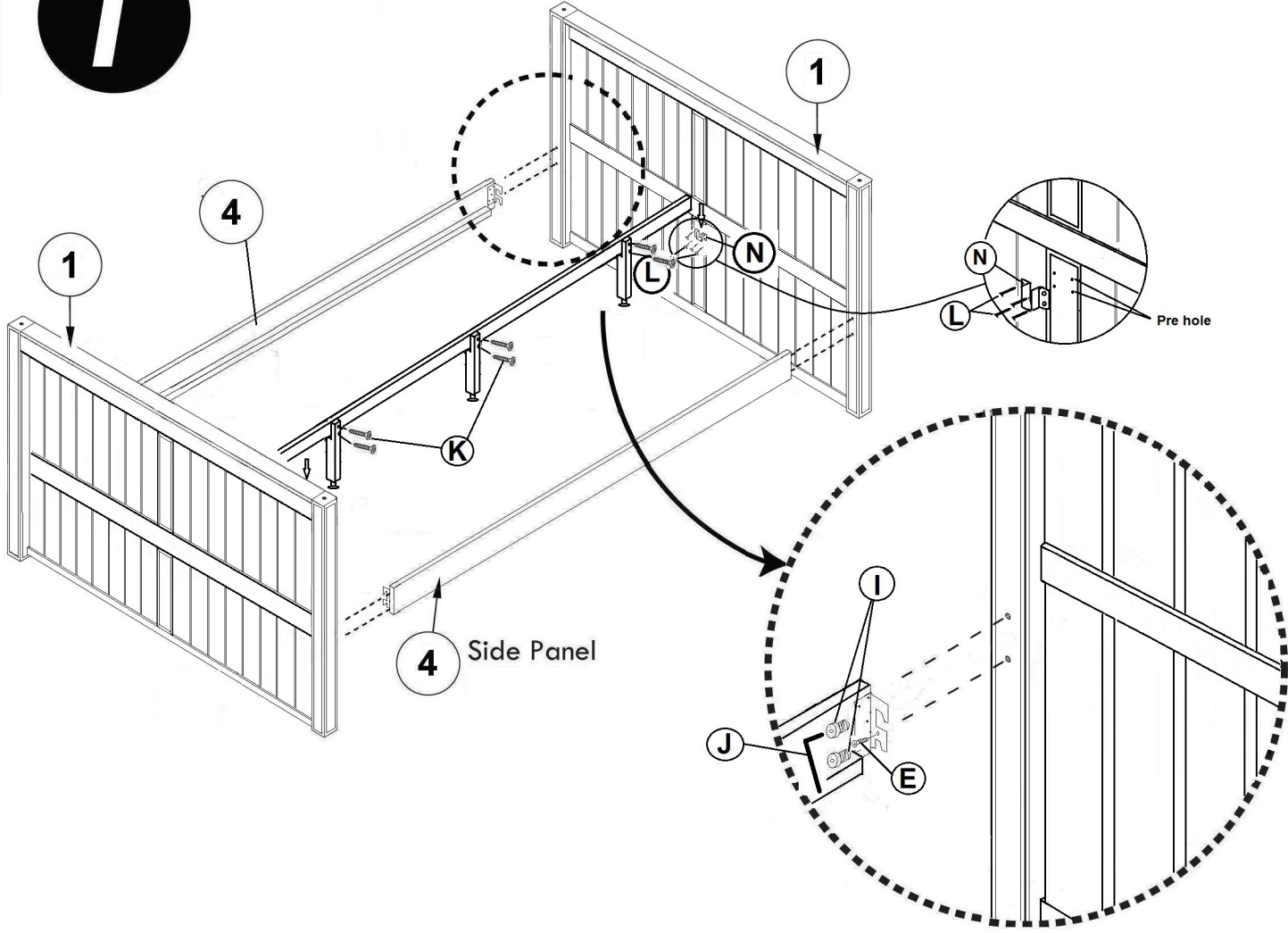
Hardware List :

| Item | Description | Qty |
|------|--|---------|
| A | JCBC M6 x 60  | 2 pcs |
| B | JCBC M6 x 30  | 6 pcs |
| C | Allen key M4  | 1 pc |
| D | Barrel nut  | 2 pcs |
| E | CSK screw M4 x 25  | 118 pcs |
| F | Metal Pin  | 4 pcs |
| H | Ladder Hook (for Short Ladder)  | 4 pcs |
| H | Ladder Hook (for Long Ladder)  | 2 pcs |
| I | JCBB M8 x 25  | 16 pcs |
| J | Allen key M5  | 1 pc |
| K | CSK screw M4 x 32  | 8 pcs |
| L | CSK screw M4 x 16  | 34 pcs |
| M | "L" Bracket  | 6 pcs |
| N | "U" Bracket  | 4 pcs |
| O | Wood Cap  | 8 pcs |

DO NOT TIGHTEN SCREWS BEFORE ALL PARTS ARE FULLY ASSEMBLED !!

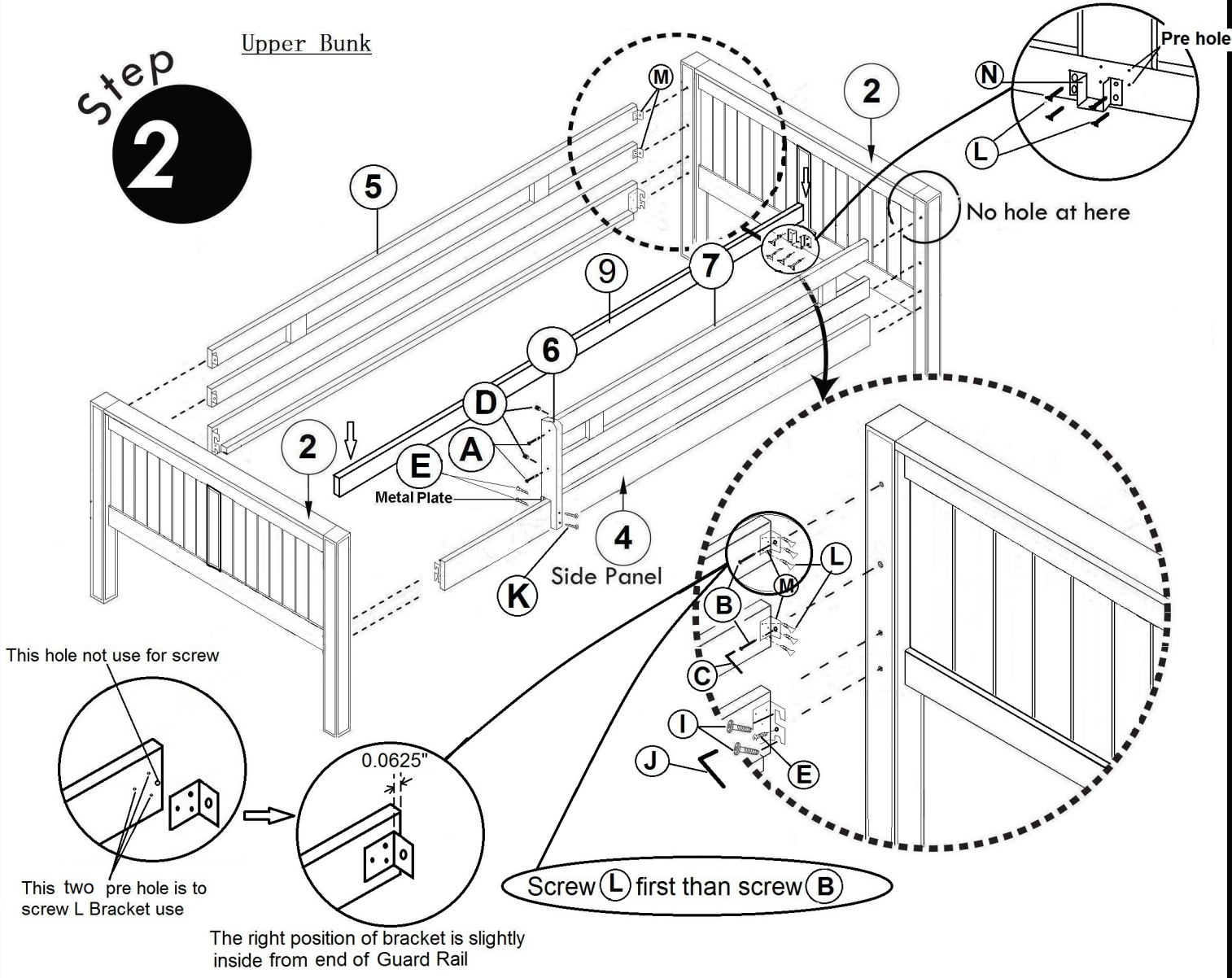
Step 1

Bottom Bunk



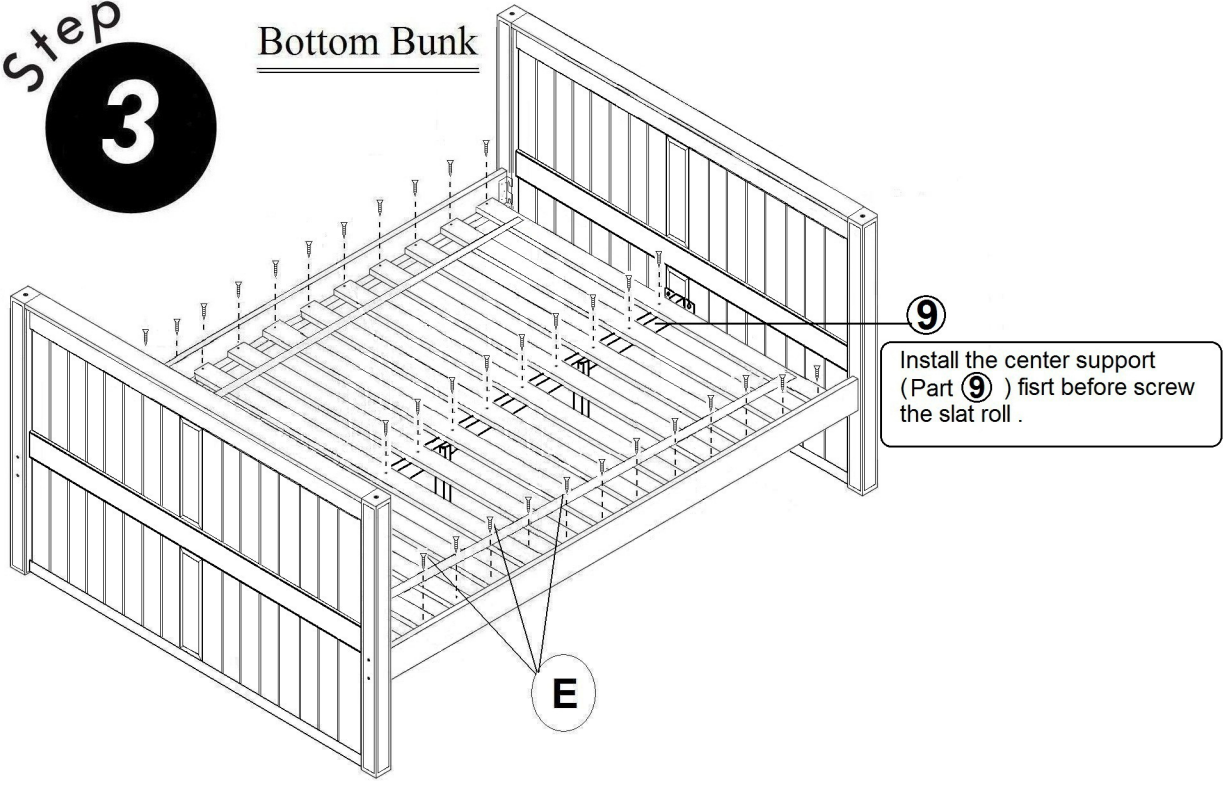
Step 2

Upper Bunk

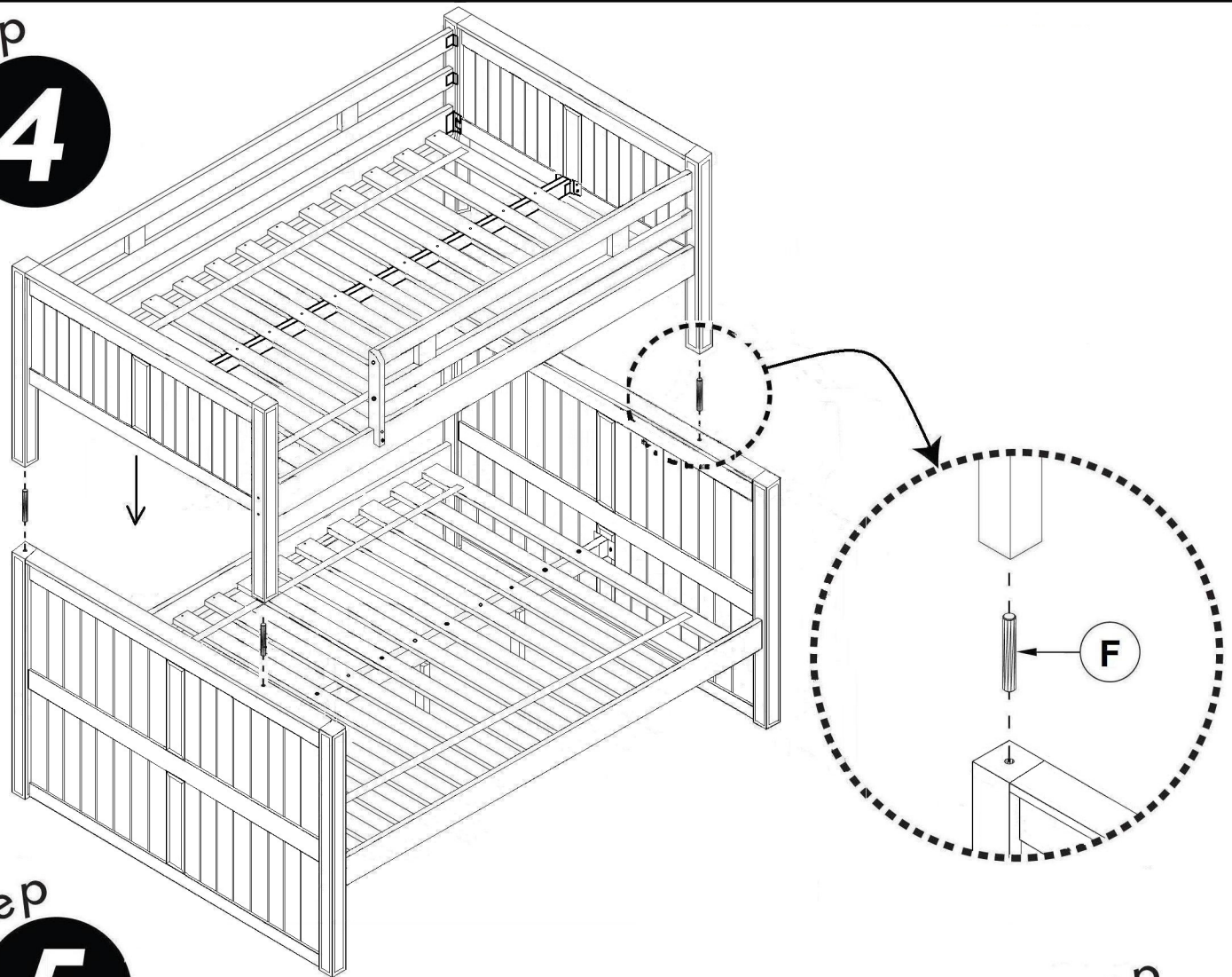


Step 3

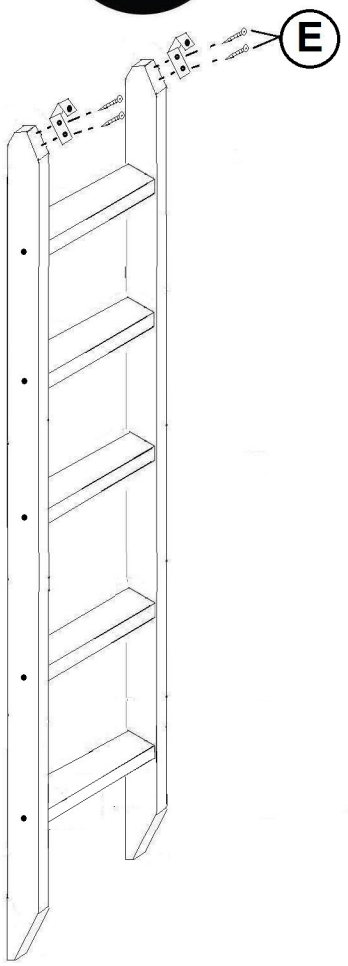
Bottom Bunk



Step 4



Step 5



Step 6

