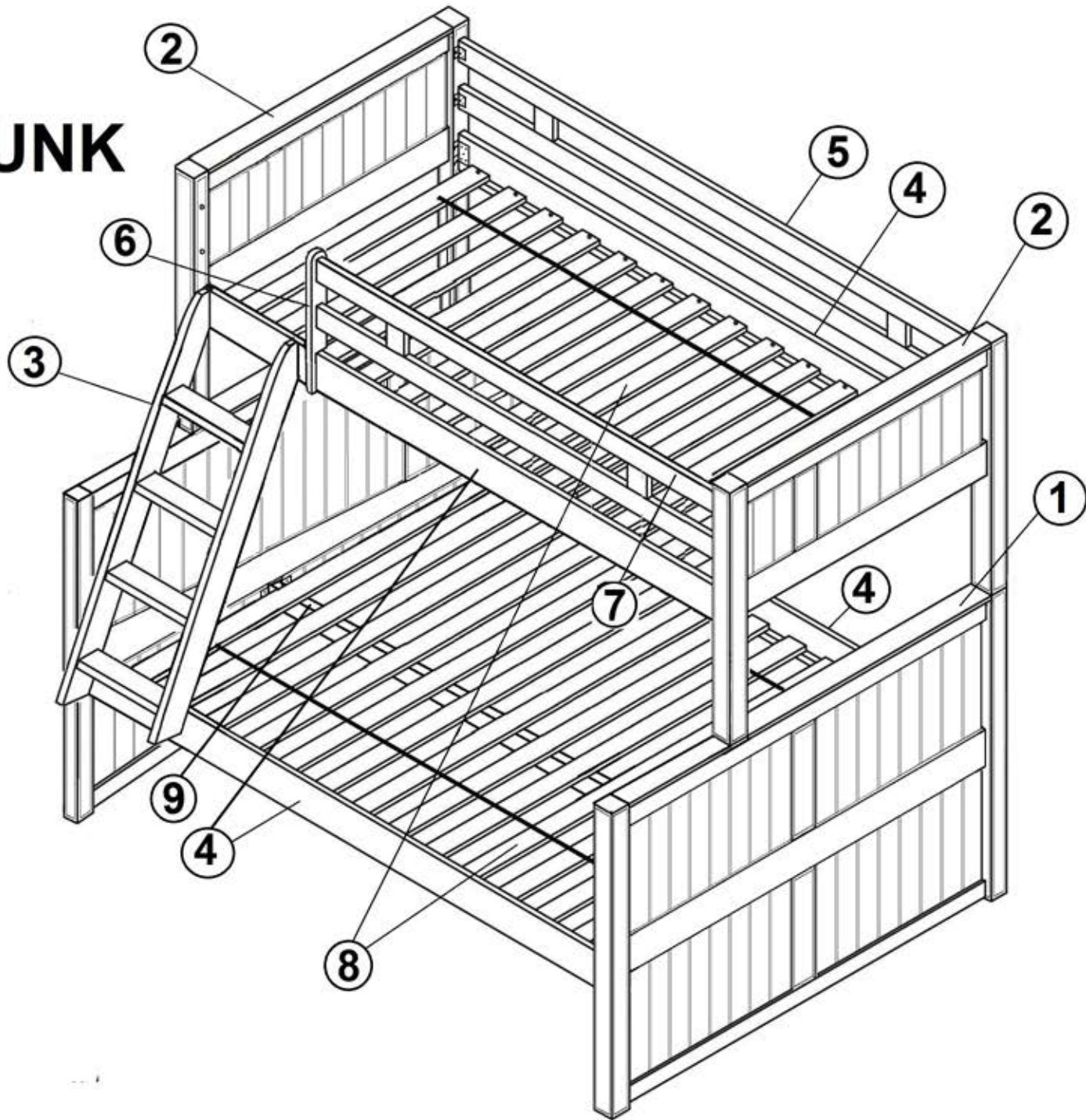


# 0261

## TWIN FULL BUNK

### Part List :

Item	Description	Qty
1	Bottom Headboard	2 pcs
2	Upper Headboard	2 pcs
3	Ladder	1 pc
4	Side Panel	4 pcs
5	Long Guard Rail	1 pc
6	Guard Rail Support	1 pc
7	Short Guard Rail	1 pc
8	Slat	2 sets
9	Center Support	1 pc



# Assembly Instruction

# 0261

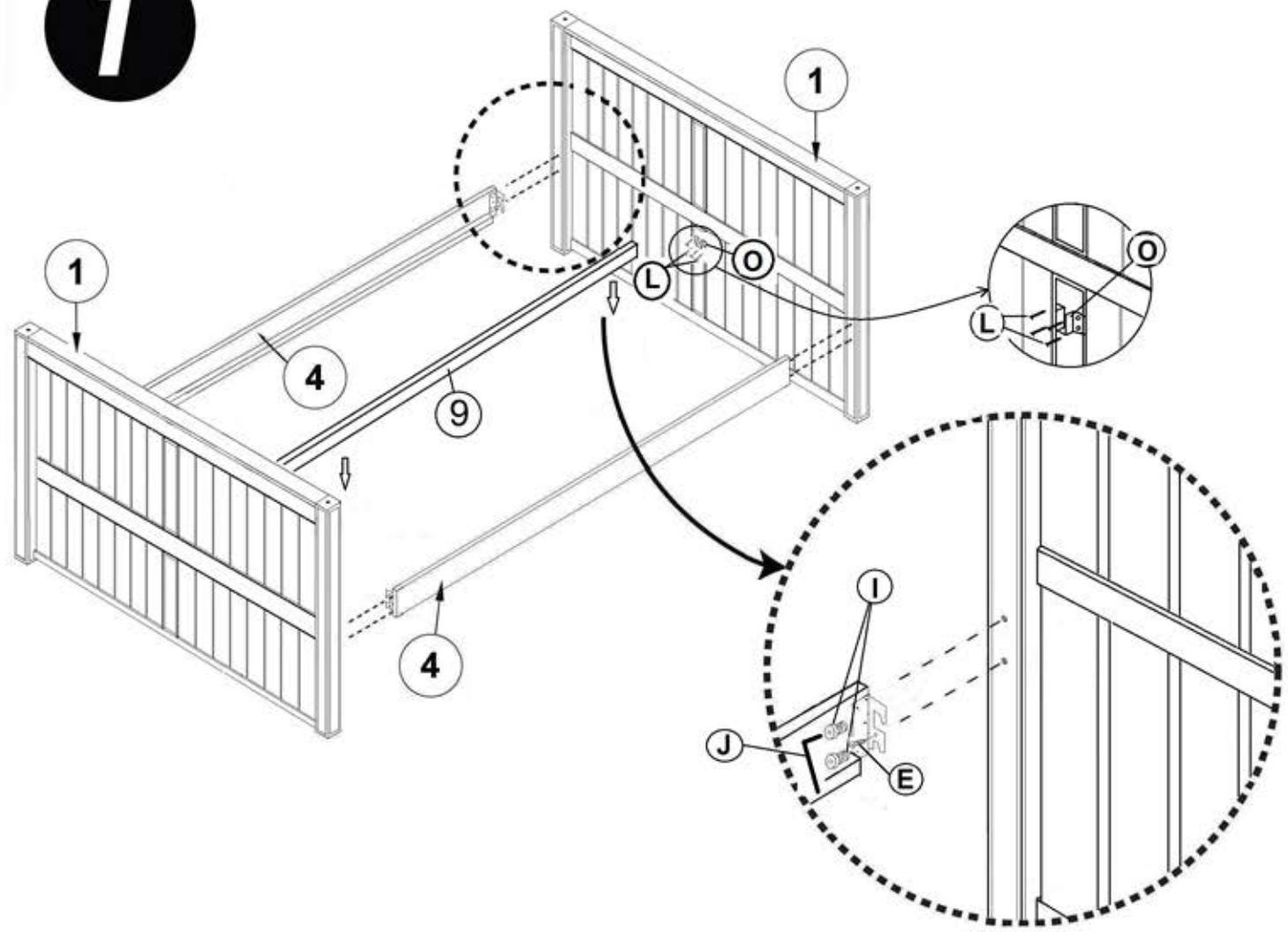
## Hardware List :

Item	Description	Qty
A	JCBC M6 x 60	2 pcs
B	JCBC M6 x 30	6 pcs
C	Allen key M4	1 pc
D	Barrel nut	2 pcs
E	CSK screw M4 x 25	102 pcs
F	Metal Pin	4 pcs
H	Ladder Hook (for Short Ladder)	4 pcs
H	Ladder Hook (for Long Ladder)	2 pcs
I	JCBB M8 x 25	16 pcs
J	Allen key M5	1 pc
K	CSK screw M4 x 32	2 pcs
L	CSK screw M4 x 16	20 pcs
M	"L" Bracket	6 pcs
N	Wood Cap	8 pcs
O	"U" Bracket	2 pcs

**DO NOT TIGHTEN SCREWS BEFORE ALL PARTS ARE FULLY ASSEMBLED !!**

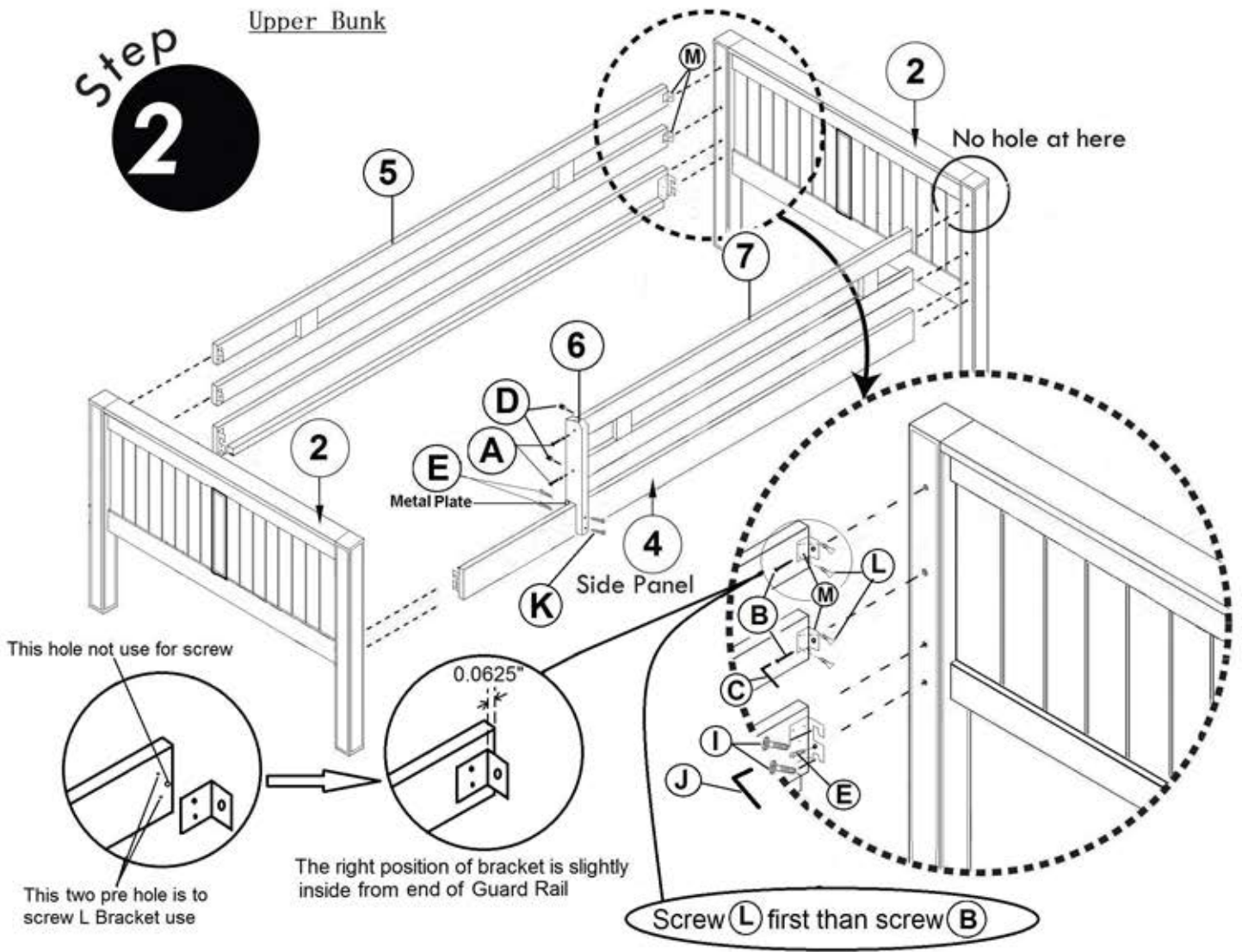
Step **1**

### Bottom Bunk



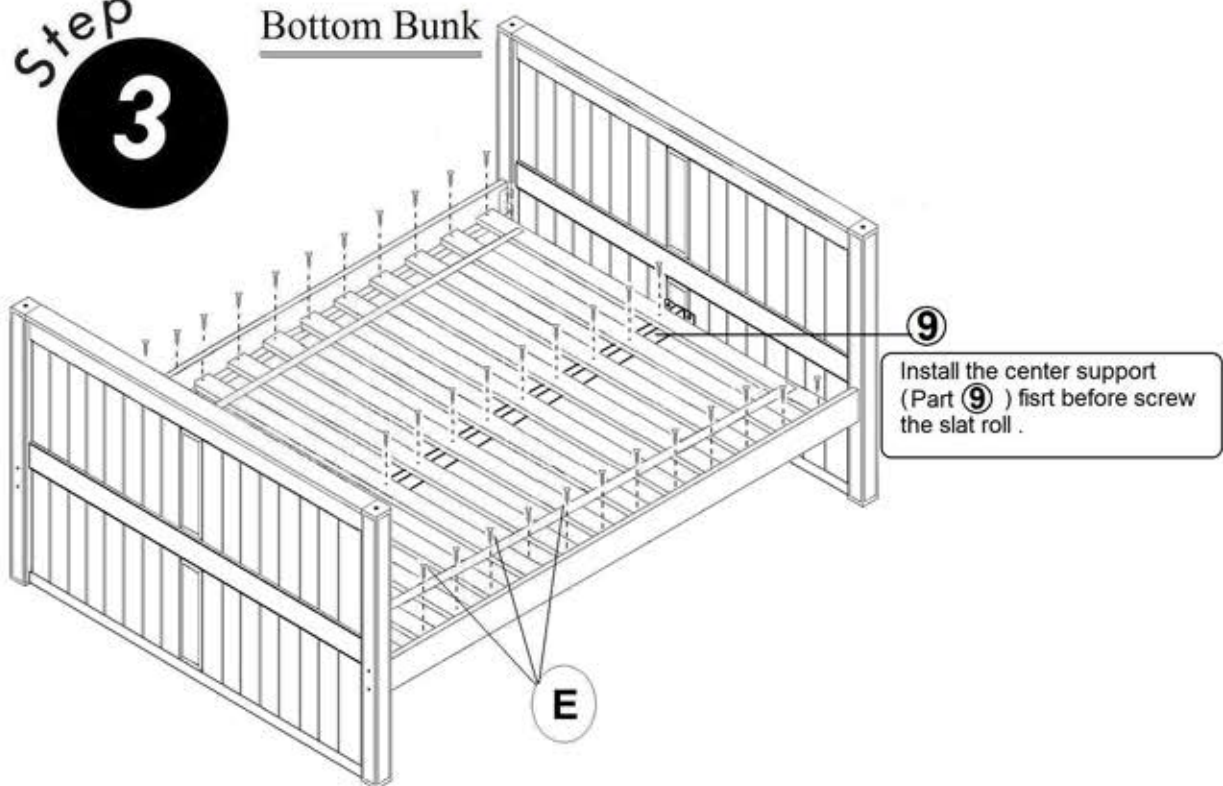
Upper Bunk

Step 2



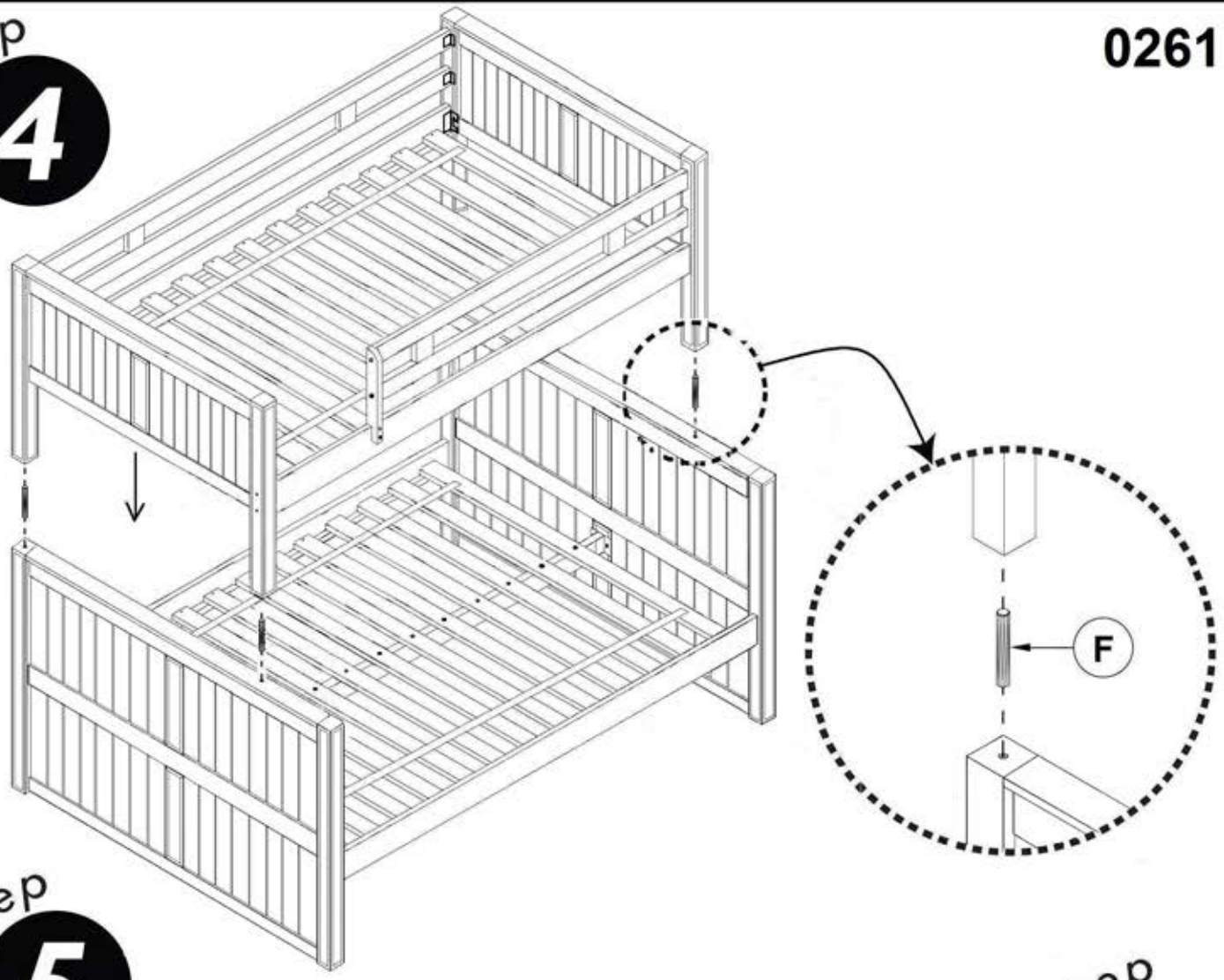
Bottom Bunk

Step 3

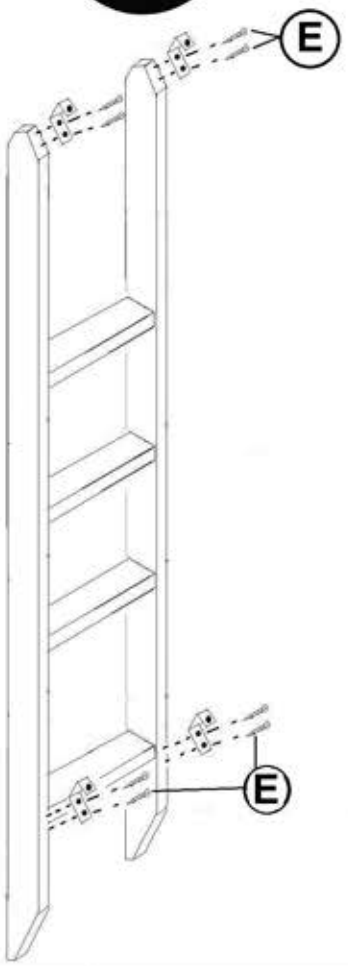


0261

Step 4



Step 5



Step 6

