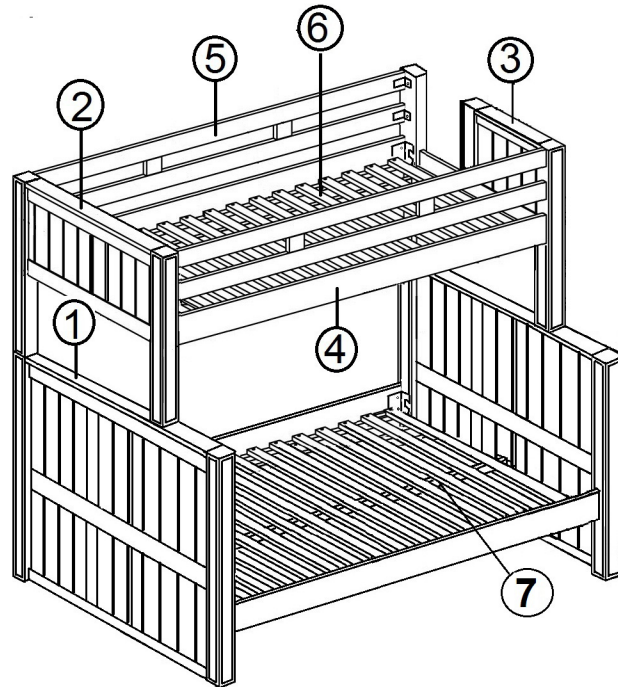


0261-C

Part List :

Item	Description	Qty
1	Bottom Headboard	2 pcs
2	Upper Headboard	1 pc
3	Opening Headboard	1 pc
4	Side Rail	4 pcs
5	Long Guard Rail	2 pcs
6	Slat	2 sets
7	Center Rail	1 pc



0261-C

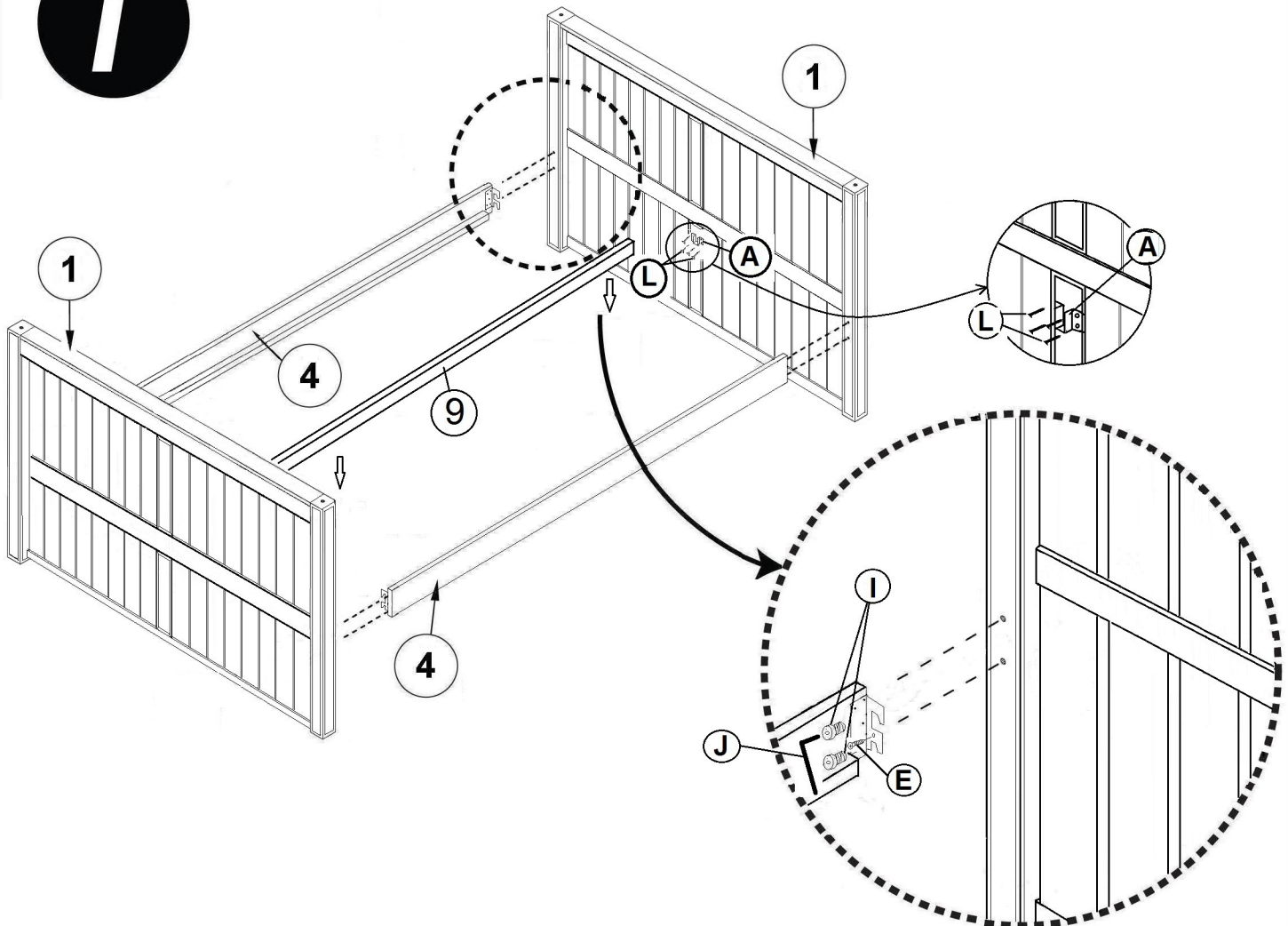
Hardware List :

Item	Description	Qty
A	"U" Bracket	2 pcs
B	JCBC M6 x 30	8 pcs
C	Allen key M4	1 pc
E	CSK screw M4 x 25	88 pcs
F	Metal Pin	4 pcs
I	JCBB M8 x 25	16 pcs
J	Allen key M5	1 pc
L	CSK screw M4 x 16	24 pcs
M	"L" Bracket	8 pcs
N	Wood Cap	9 pcs

DO NOT TIGHTEN SCREWS BEFORE ALL PARTS ARE FULLY ASSEMBLED !!

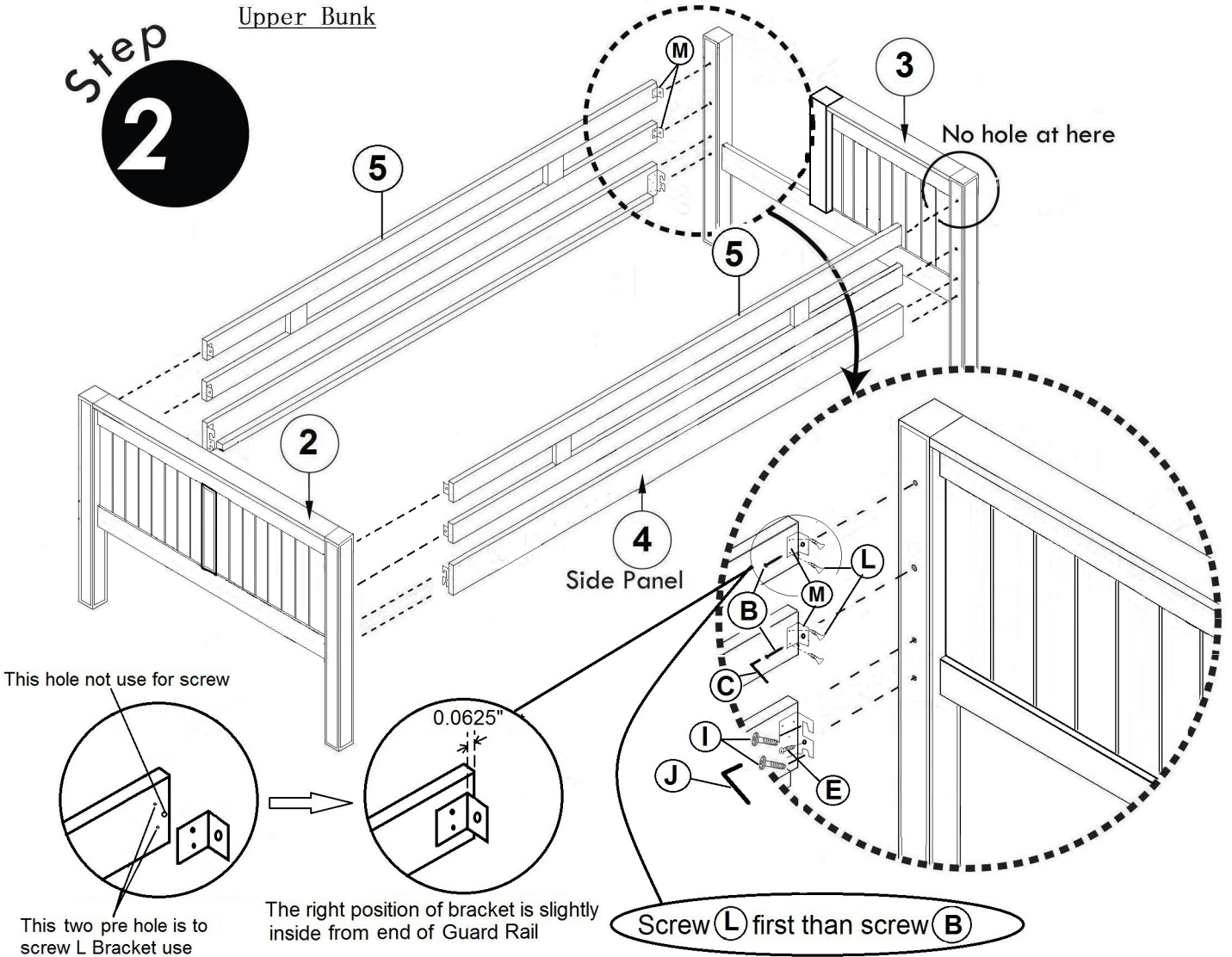
Step
1

Bottom Bunk



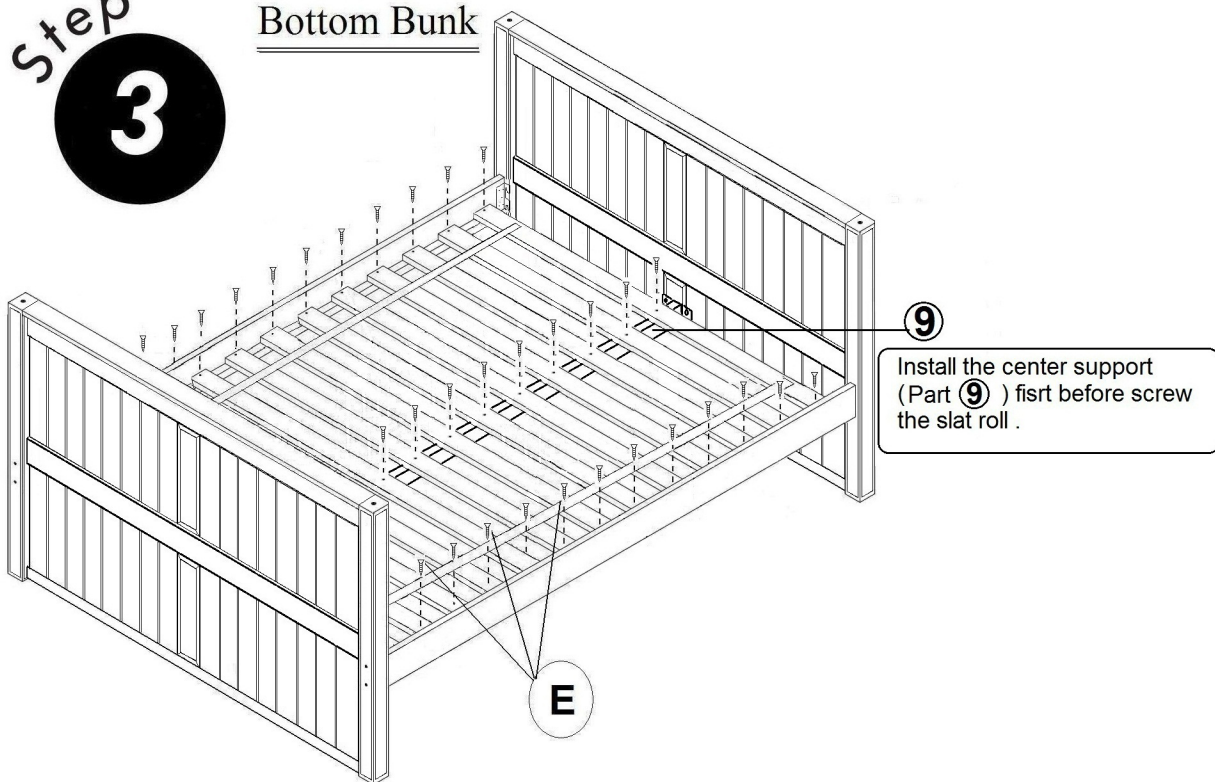
Upper Bunk

Step 2

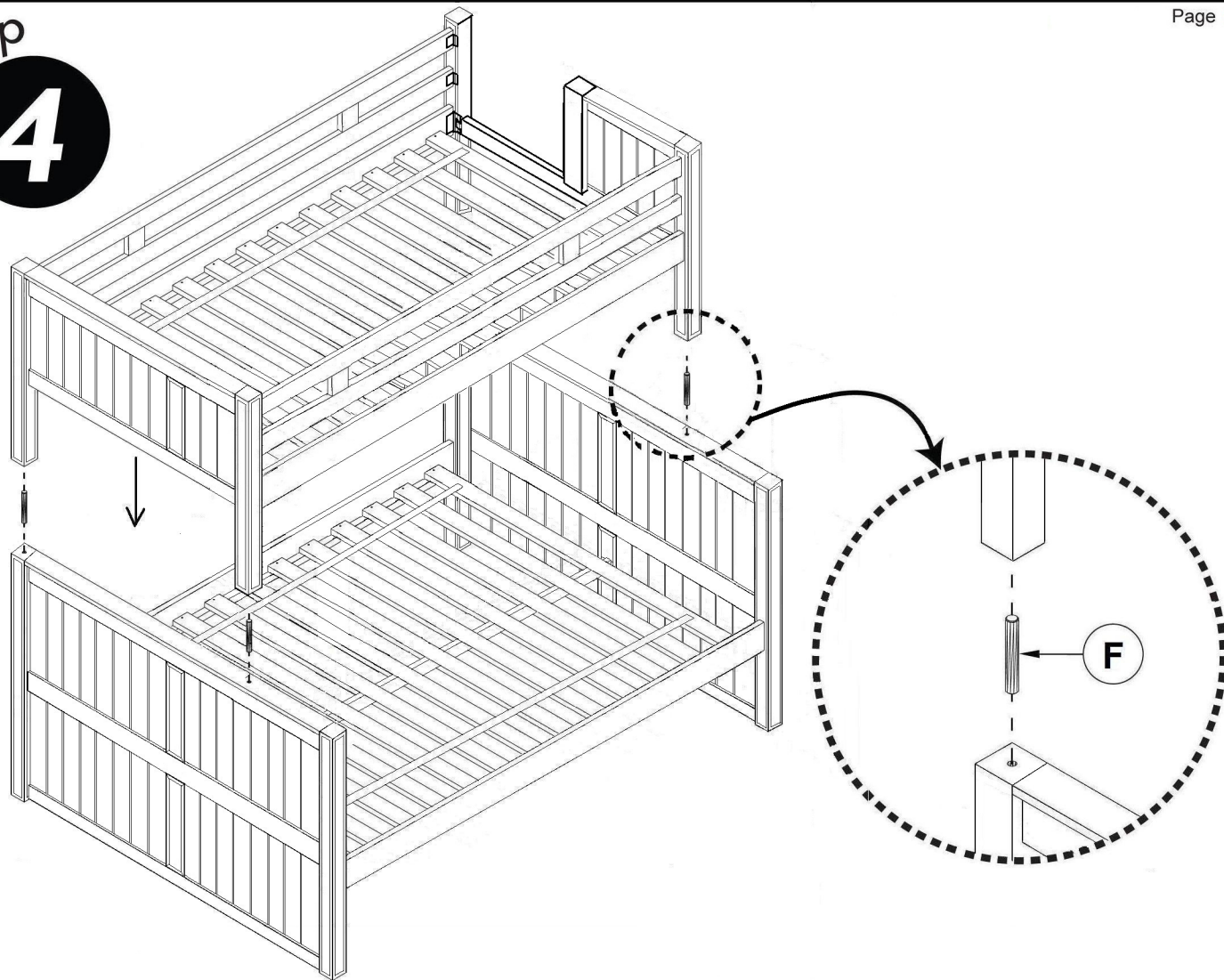


Bottom Bunk

Step 3



Step
4



Step
5

