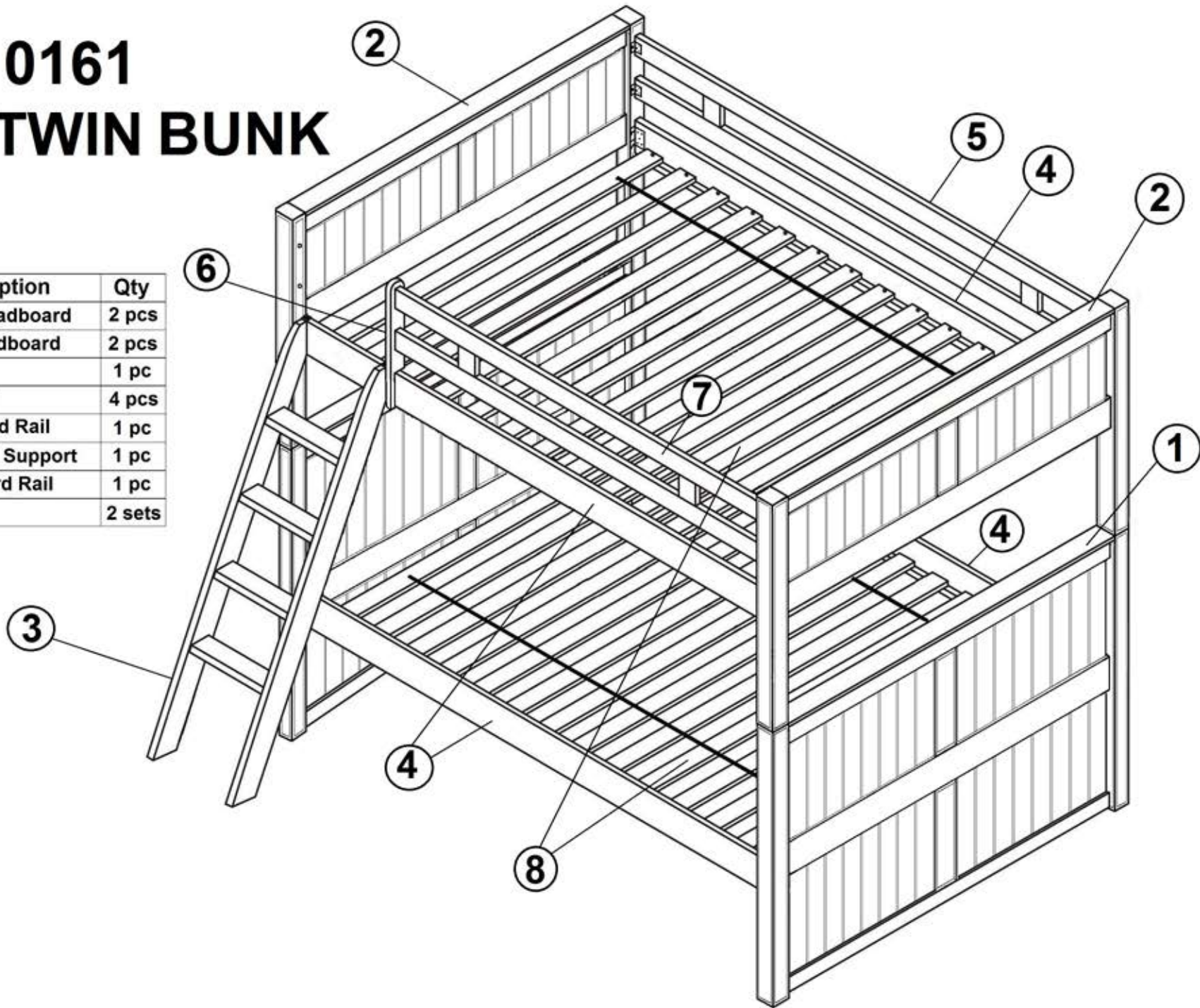


0161

TWIN TWIN BUNK

Part List :

Item	Description	Qty
1	Bottom Headboard	2 pcs
2	Upper Headboard	2 pcs
3	Ladder	1 pc
4	Side Panel	4 pcs
5	Long Guard Rail	1 pc
6	Guard Rail Support	1 pc
7	Short Guard Rail	1 pc
8	Slat	2 sets



Assembly Instruction

0161

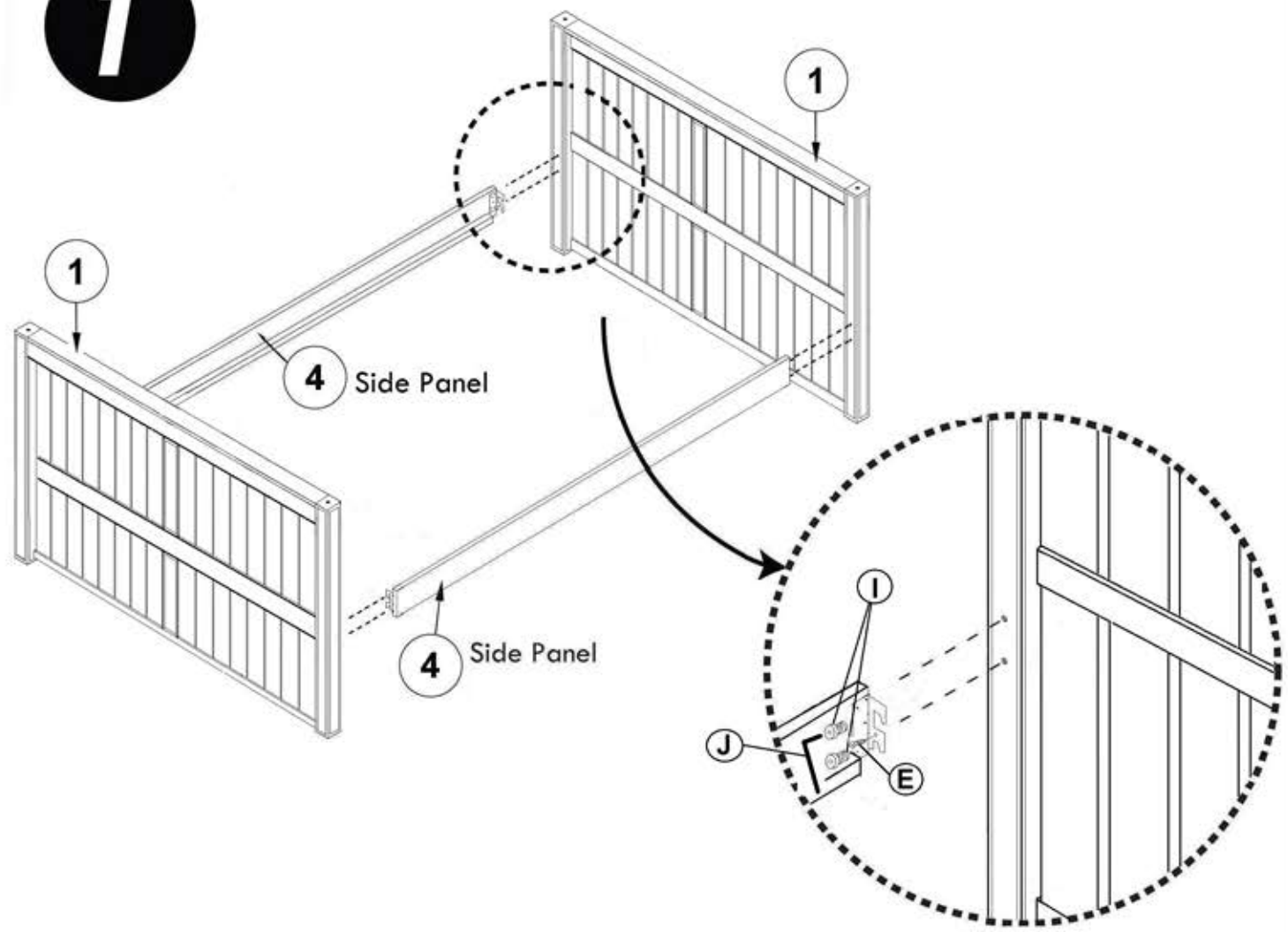
Hardware List :

Item	Description	Qty
A	JCBC M6 x 60	2 pcs
B	JCBC M6 x 30	6 pcs
C	Allen key M4	1 pc
D	Barrel nut	2 pcs
E	CSK screw M4 x 25	80 pcs
F	Metal Pin	4 pcs
H	Ladder Hook (for Short Ladder)	4 pcs
H	Ladder Hook (for Long Ladder)	2 pcs
I	JCBB M8 x 25	16 pcs
J	Allen key M5	1 pc
K	CSK screw M4 x 32	2 pcs
L	CSK screw M4 x 16	12 pcs
M	"L" Bracket	6 pcs
N	Wood Cap	8 pcs

DO NOT TIGHTEN SCREWS BEFORE ALL PARTS ARE FULLY ASSEMBLED !!

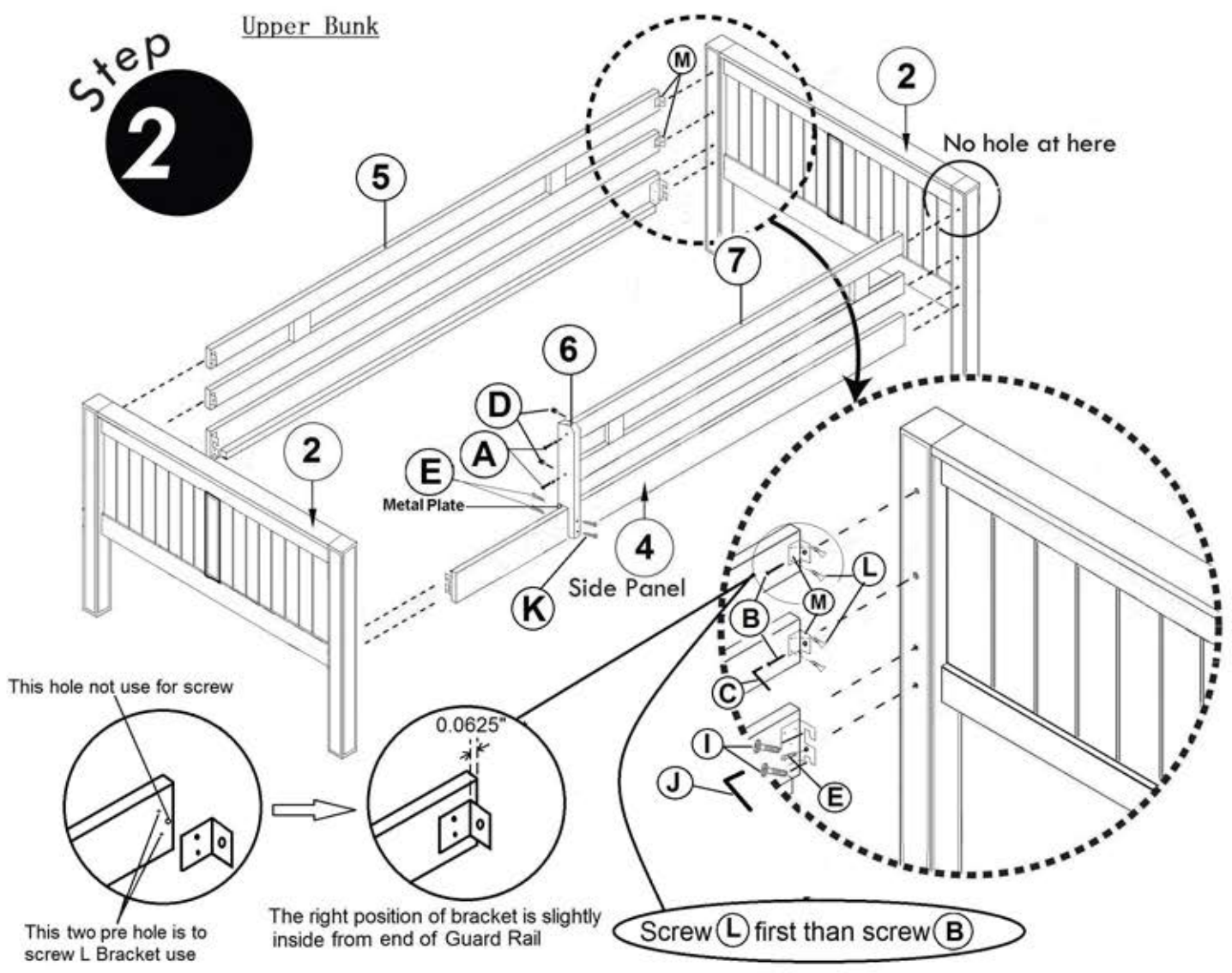
Step 1

Bottom Bunk



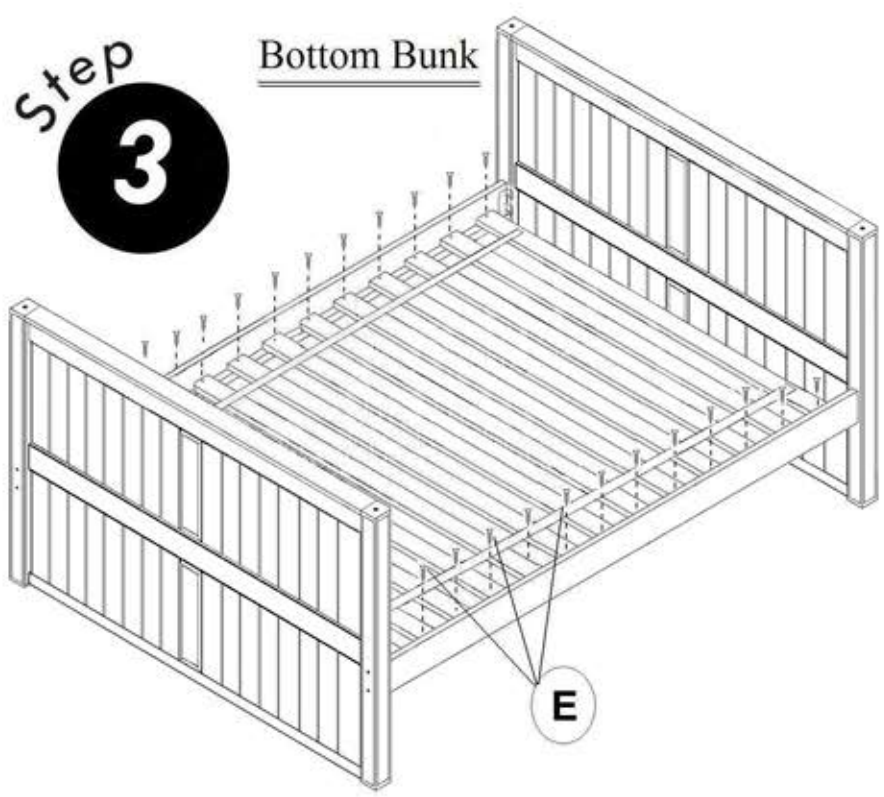
Step 2

Upper Bunk



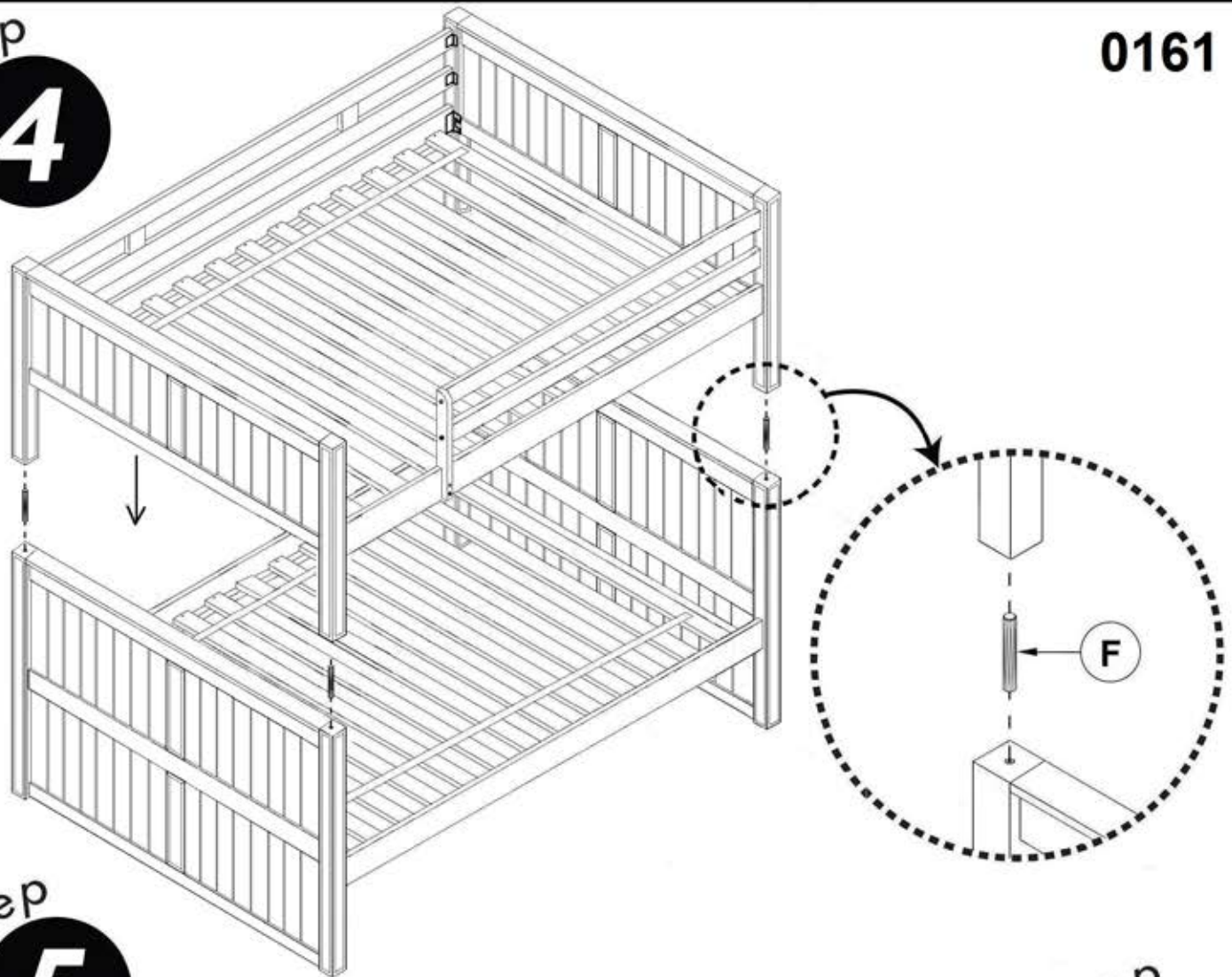
Step 3

Bottom Bunk

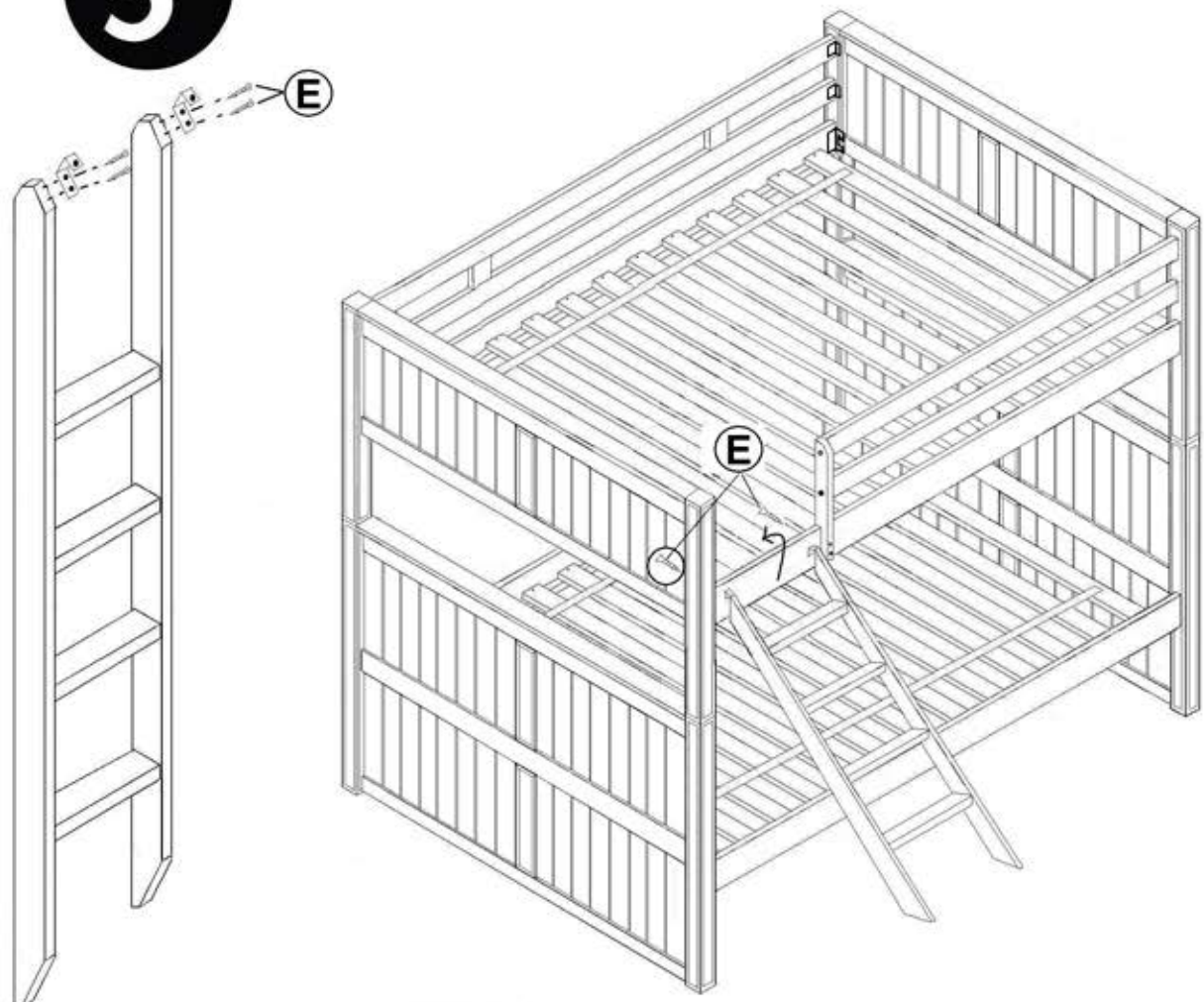


0161

Step
4



Step
5



Step
6